

Custom Made Roller Shade Program		
Custom Made Roller Shade Santa Fe	Code	RR-001
	Edition	N
	Page	1 / 71
	Update Date	2026/01/15

Soluna Roller Blinds



Specifications
February 2026

SANTAFÉ
SHUTTER & BLIND EXPERTS

NORMAN[®]
SHUTTERS. BLINDS. SHADES.

Custom Made Roller Shade Program		
Custom Made Roller Shade Santa Fe	Code	RR-001
	Edition	N
	Page	2 / 71
	Update Date	2026/01/15

Soluna Roller Blind Specifications

Easy Reference Guide - Norman Roller Blinds				
OPERATION TYPE	MINIMUM SIZE		MAXIMUM SIZE	
	Width	Height	Width	Height
<i>Please ensure you check the maximum width for each fabric, as not all fabrics meet the maximum blind width.</i>				
Chain	203mm	305mm	3000mm	3660mm
Dual Shade	203mm	305mm	3000mm	3660mm
Linked-2 on 1 Shades	610mm	305mm	6000mm	3660mm
Linked-3 on 1 Shades	915mm	305mm	6000mm	3660mm
Linked-4 on 1 Shades	1220mm	305mm	6000mm	3660mm
Linked-Coupled Dual Shades	610mm	305mm	6000mm	3660mm
SmartRelease Chain	305mm	305mm	3000mm	3660mm
Dual Shade	305mm	305mm	3000mm	3660mm
Linked Not Available	N/A	N/A	N/A	N/A
Motorised - AutoWand	559mm	305mm	3000mm	3660mm
Dual Shade	559mm	305mm	3000mm	3660mm
Linked-2 on 1 Shades	1118mm	305mm	6000mm	3660mm
Linked-3 on 1 Shades	1677mm	305mm	6000mm	3660mm
Linked-4 on 1 Shades	2236mm	305mm	6000mm	3660mm
Linked-Coupled Dual Shades	1118mm	305mm	6000mm	3660mm
Motorised - Remote	610mm	305mm	3000mm	3660mm
Dual Shade	610mm	305mm	3000mm	3660mm
Linked-2 on 1 Shades	1220mm	305mm	6000mm	3660mm
Linked-3 on 1 Shades	1830mm	305mm	6000mm	3660mm
Linked-4 on 1 Shades	2440mm	305mm	6000mm	3660mm
Linked-Coupled Dual Shades	1220mm	305mm	6000mm	3660mm
PrecisionLift Cordless incl Cordless Dual Shade. Linked not available for Cordless.	<i>For Non-LG360 Cordless, the width and height must meet rules below:</i>			
	242mm	305mm	610mm	1829mm
	611mm	305mm	2440mm	3048mm
	2441mm	305mm	3000mm	3660mm
	<i>For LG360 Cordless, the width and height must meet rules below:</i>			
	457mm	305mm	483mm	1219mm
	484mm	305mm	610mm	1829mm
	611mm	305mm	2440mm	3048mm
2441mm	305mm	3000mm	3660mm	

DEDUCTIONS & TUBE SIZE

For inside mount, the order width from end cap to end cap will be the order width -3.2mm. The deductions below are in addition to this.

For deductions with a fascia or valance, please see the Fascia & Valance section of this manual

OPERATION TYPE	Opening Width	Tube Dimension	Tube Deduction	Fabric Deduction
Chain	203-2440mm	43mm	-29.5mm	-30.5mm
	2441-3000mm	52mm	-30.5mm	-31.5mm
SmartRelease Chain	305-2440mm	43mm	-33mm	-34mm
	2441-3000mm	52mm	-33mm	-34mm
Motorised - AutoWand	559-2440mm	43mm	-28.5mm	-29.5mm
	2441-3000mm	52mm	-28.5mm	-29.5mm

Custom Made Roller Shade Program		
Custom Made Roller Shade Santa Fe	Code	RR-001
	Edition	N
	Page	3 / 71
	Update Date	2026/01/15

Motorised - Remote	610-2440mm	43mm	-30mm	-31mm
	2441-3000mm	52mm	-30mm	-31mm
PrecisionLift Cordless	242-2440mm	43mm	-24mm	-25mm
	2441-3000mm	52mm	-24mm	-25mm
DEFAULT FASCIA SIZE				
OPERATION TYPE	Width	Length	Fascia Size	Note: fascia sizes will not be matched for an entire order, unless "side by side" is chosen. If you require fascias to match in a room or house, please note clearly when placing your order.
Chain & Motorised	≤ 2440mm	≤ 2440mm	89mm	
		> 2440mm	114mm	
	> 2440mm	≤ 1829mm	89mm	
		> 1829mm	114mm	
SmartRelease Chain	≤ 2440mm	≤ 2440mm	89mm	
		> 2440mm	114mm	
PrecisionLift Cordless	≤ 2440mm	All heights	114mm	
		≤ 2440mm	89mm	
	> 2440mm	> 2440mm	114mm	
		≤ 1829mm	89mm	
	> 2440mm	> 1829mm	114mm	

Revision Log

Edition	Amendment			Update Date	Effective Date	Page	Compiler	Remark
	New	Delete	Modify					
L			V	2025/10/11	2025/10/15	All	Gina Gao	<ol style="list-style-type: none"> All size limitations and size ranges which are listed as 2438mm be updated to 2440mm for consistency. Corrected the gap size between fabrics of two shades for Coupled Shades: 17mm → 18.5mm
M			V	2025/11/24	2025/11/24	All	Gina Gao	<ol style="list-style-type: none"> Added max shades Qty info for Light Guard 360™ system with 360 T-Post. Added shade width deduction info for 360 T-Post. Added new colour option for Premium Hardware: White Updated the Min. Shade Width for Non-LG360 Cordless System: 457mm → 242mm Adjusted the layout and completed some info for Cassette System. Added Side by Side and Common Top Treatment notes for Cordless system. Added running change notes for USB Charging Cable and Charging Port of AutoWand Motor: Micro USB → USB Type-C
N			V	2026/1/15	2026/1/1	9,10,15, 19~21, 24~27, 32,38	Gina Gao	1. Updated drawing and description for Dual shades.
					2026/2/1			2. Updated notes for fascia/valance size.
								3. Added new components colour: Bianca

Custom Made Roller Shade Program		
Custom Made Roller Shade Santa Fe	Code	RR-001
	Edition	N
	Page	4 / 71
	Update Date	2026/01/15

Table of Contents

- 1. Features & Benefit5
- 2. Fabric Information6
- 3. Lift System.....7
- 4. Size Considerations14
- 5. Dual Shades & Coupled Shades & Common Valance15
- 6. LightGuard 360™ system.....19
- 7. Cassette System.....24
- 8. Fascia & Valance Options.....27
- 9. Fascia / Valance & Lift System Compatibility Chart31
- 10. Additional Options31
- 11. Motorization36
 - 11.1 AutoWand™ Motorization36
 - 11.2 Norman Smart motorization37
- 12. Mounting Depth Illustrations42
 - 12.1: Minimum Depth Requirement for Inside Mount:42
 - 12.2: Minimum Space Requirement for Outside Mount:47
 - 12.3 Minimum shade height requirement for rechargeable battery with charging wands:47
- 13. Color Coordination48
- 14. Shade Size Definition / Size Deductions49
- 15. Fabric Width Illustrations.....53
- 16. Bracket Dimensions.....63
- 17. Hardware Information.....66
- 18. Soluna™ Roller Shades Fabric Expectations68
- 19. Soluna™ Roller Shades Product Care instructions.....71

Custom Made Roller Shade Program		
Custom Made Roller Shade Santa Fe	Code	RR-001
	Edition	N
	Page	5 / 71
	Update Date	2026/01/15

1. Features & Benefit

The latest sheers, light filtering, solar screen and blackout fabrics; select fabrics are NFPA 701, JFRA and GREENGUARD certified.

- Sheer: Provides an atmospheric touch with significant view-through while softening the outside view. A perfect complement for Dual Shades.
- Light Filtering: Offers a wide range of light diffusion from bright to dim. Ensures privacy and may reveal shapes or outlines depending on fabric.
- Room Darkening: The fabric blocks almost 100% of incoming light. A perfect choice for environments where blackout and privacy control is a must.

- Safer lift systems, including our PrecisionLift™ Cordless and motorization options – designated WCMA Best for Kids™
 - PrecisionLift™: also known as our new cordless roller shade.
To lower, gently pull the shade by the handle to the desired location. To raise, simply push the hem bar to the desired height. No additional pulling or tugging is required.
 - Motorized:
 - Norman Smart motorization: Choose battery powered or plug-in option. The Norman Smart motorization comes with a Standard 5-channel Remote or SmartDial™ 5 Channel Remote and operates multiple shades individually or simultaneously.
 - AutoWand™ Motorization: The AutoWand™ Motorization comes with a control wand for each shade for operating.

- Choose from a wide array of top treatment options to cover the fabric roll, including fascias and fabric valance.

- Optional innovative Light Guard mounts to the window and helps achieve maximum light block effect even on the top and sides.

- Hem bar options
 - Plain Hem Bar: Clean, sleek and sturdy; perfectly weighted to provide seamless function.
 - Fabric-wrapped Hem Bar: The matching fabric wrap provides a more uniform look throughout the shade

Custom Made Roller Shade Program		
Custom Made Roller Shade Santa Fe	Code	RR-001
	Edition	N
	Page	6 / 71
	Update Date	2026/01/15

2. Fabric Information

[Reference to Appendix 1-Santa Fe Roller Shade Fabric Color List and Color Coordination Chart](#)

Opacity and Light Control

Fabric Opacity	Description	Privacy Level
Sheer	Provides an atmospheric touch with significant view-through while softening the outside view. Objects in the room can be seen clearly through sheer shades.	Minimal
Light Filtering	Offers a wide range of light diffusion from bright to dim. Shapes or outlines may be seen through these shades but details are not visible.	Medium
Room Darkening	Blocks a significant amount of incoming light and provides maximum privacy. A perfect choice for rooms where blackout and privacy control is a must.	High

Fabric Disclaimers

Due to the nature of the weaving process, some imperfections in the weave is considered normal. Fabric appearance can vary based on the indoor light intensity. This is not a defect and is considered normal. Due to variations in fabric and dye lots, colors or sheens may vary slightly. It is recommended that all shades for the same room be ordered at the same time to help ensure color consistency.

Natural fabrics may have variations and visual inconsistencies in color, grain and texture. They may also fray, crack or split, twist or bow, shrink or stretch, and change color over time due to aging, texture, direct exposure to sunlight, or other climatic conditions. These unique characteristics are inherent in natural materials and are not considered defects in material or workmanship. Repairs/ Remake will be only with like or similar parts or products supplied. Exact color matches cannot be guaranteed.

When a roller shade is first installed and is in a completely lowered position, it is common to notice minor indentations on the fabric near the roller tube. Additionally, when the shade is left partially raised for an extended period of time, it is also common to notice slight fabric dentitions. These indentations will usually go away after the shade is in a completely lowered position for a few days. This is one of the common characteristics of roller shade fabrics.

Openness factor refers to approximately how tight the weave is. Solar screen fabrics have different textures and patterns, and the angle of the yarns can affect the passage of the light. A low openness factor means the fabric is more tightly woven and that there will be less visibility through the shade with a higher degree of light control. A high openness factor provides better view-through with a lesser degree of light control. It is within industry standard that solar screen fabrics have a minimum tolerance level of +/- 10% in openness factor. As a result, openness cannot be used to determine visibility, glare and thermal control.

Even in room darkening, for the same fabric collection, darker color fabrics may be able to block more light than what lighter color fabrics can.

The woven fabric may fray due to its weaving. After cutting, processing, or other external factors, the fray may be enlarged and the fabric's yarn may be exposed, but it can normally be trimmed with scissors, and this will not affect shade's function.

During the shipping process, the material may shift slightly due to its woven construction, causing slight shortening or uneven edges. There may also be slight creases in fabric. To remove creases, immediately unroll the shade completely, extend, and let it hang for several days. For best result, please leave 25mm space between the hem bar and window sill.

Telescoping Issue: Shades over 3 to 1 ratio length vs width may experience a telescoping (tracking) issue, which is not considered a defect.

Side by Side: The side by side is only available for same shade type, same lift system, same motor type, same adapter type, same top treatment, same mounting type, same fabric and same room in same order.

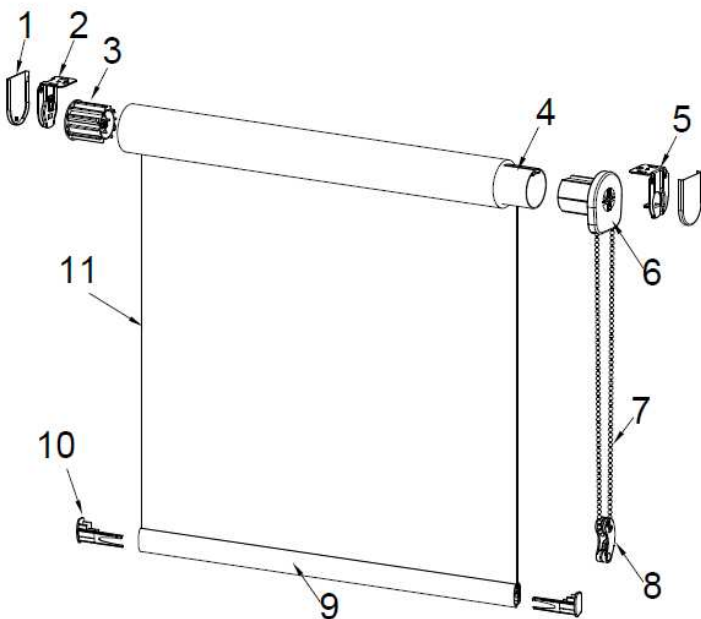
Note: For one line with shade qty>1, all the shades in this line will be treated as side by side. Premium Hardware cannot match with Non-Premium Hardware.

Custom Made Roller Shade Program		
Custom Made Roller Shade Santa Fe	Code	RR-001
	Edition	N
	Page	7 / 71
	Update Date	2026/01/15

3. Lift System

- Continuous Cord Loop(Chain)
- SmartRelease™
- PrecisionLift™ Cordless
- Motorized

Continuous Cord Loop without top treatment



No.	Description	Remarks
1	Bracket Cover	For shade brackets Default for inside & outside mount
2	Shade Bracket	For end plug side
3	End Plug	
4	Tube	
5	Shade Bracket	For clutch side
6	Clutch	
7	Bead Chain	
8	Safety Tension Device	
9	Hem Bar	
10	Hem Bar End Cap	
11	Fabric	

2 Clutch sizes depending on the bracket type:

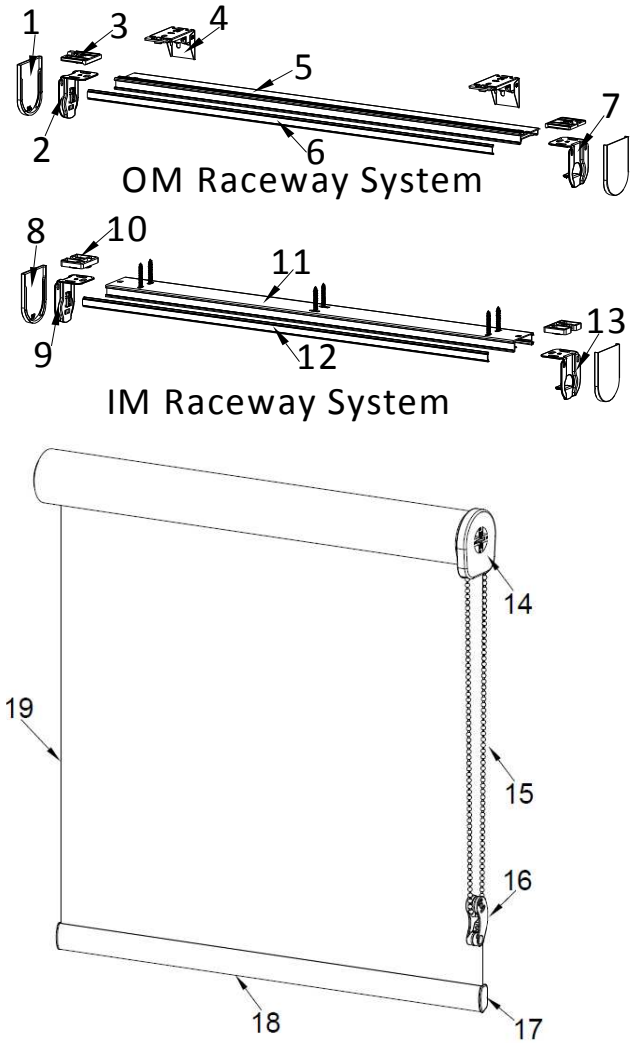
- 43mm Clutch: defaulted for all non-premium bracket shades.
- 62mm Clutch: defaulted for shade with premium bracket.

Note:

If the shades over 5 to 1 ratio length vs width, the tube will be upgraded to 52mm by default to minimize telescoping (tracking) issue.

Custom Made Roller Shade Program		
Custom Made Roller Shade Santa Fe	Code	RR-001
	Edition	N
	Page	8 / 71
	Update Date	2026/01/15

Continuous Cord Loop with Raceway

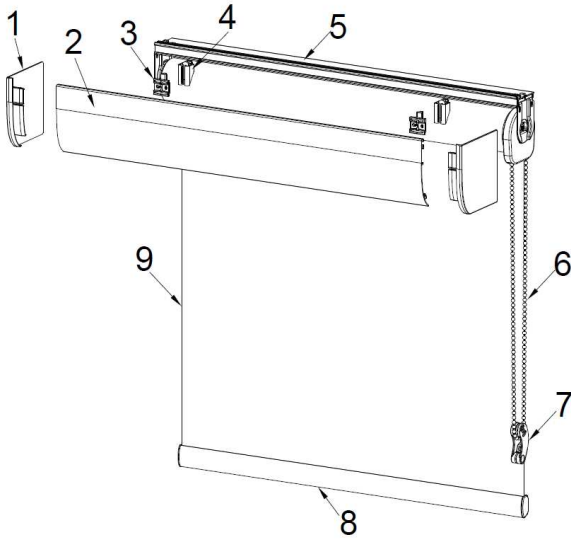


No.	Description	Remarks
1	Bracket Cover (for shade brackets)	For outside mount with raceway
2	Shade Bracket (For end Plug side)	
3	Raceway Bracket Clip	
4	Mounting Bracket	
5	Raceway	For inside mount with raceway
6	Raceway Insert(For front side only)	
7	Shade Bracket (For clutch side)	
8	Bracket Cover (for shade brackets)	
9	Shade Bracket (For end Plug side)	
10	Raceway Bracket Clip	
11	Raceway	
12	Raceway Insert(For front side only)	
13	Shade Bracket (For clutch side)	
14	Clutch	
15	Bead Chain	
16	Safety Tension Device	
17	Hem Bar End Cap	
18	Hem Bar	
19	Fabric	

- Note:**
- * Raceway is only optional when there is no top treatment. When any type of top treatment is selected, raceway will be included by default.
 - * Spring Assist will be default provided for the shades with lift loads between 4.4 lbs and 12 lbs. (See lift load limitations on Page 11)

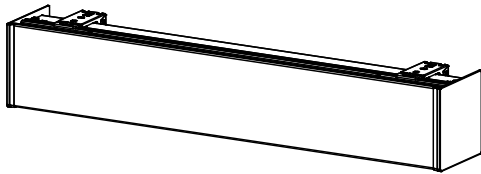
Custom Made Roller Shade Program		
Custom Made Roller Shade Santa Fe	Code	RR-001
	Edition	N
	Page	9 / 71
	Update Date	2026/01/15

Continuous Cord Loop with Fascia

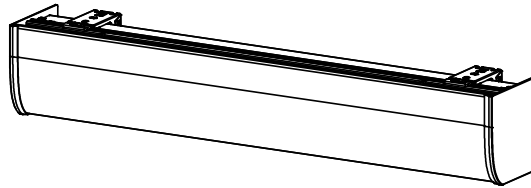


No.	Description
1	Fascia End Cap
2	Fascia
3	Valance Clip
4	Valance Bracket
5	Raceway
6	Bead Chain
7	Safety Tension Device
8	Hem Bar
9	Fabric

Fascia options:



Square Fascia
(Available size:89mm/114mm)



Curved Fascia
(Available size:89mm/114mm)

Fascia Size:

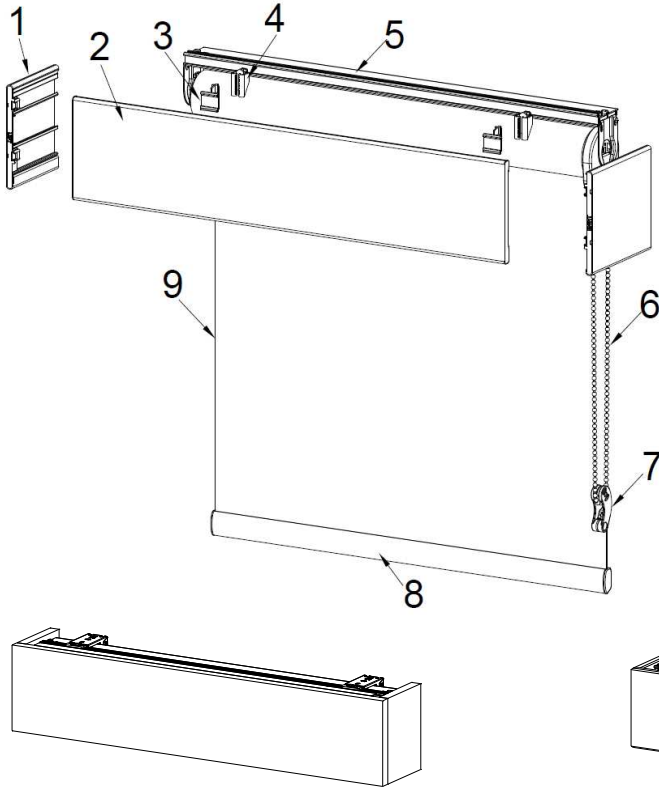
System	Width X	Length Y	Default Fascia Size
Chain clutch/Motorized/ PrecisionLift™ Cordless	$X \leq 2440\text{mm}$	$Y \leq 2440\text{mm}$	89mm
		$Y > 2440\text{mm}$	114mm
	$X > 2440\text{mm}$	$Y \leq 1829\text{mm}$	89mm
		$Y > 1829\text{mm}$	114mm
SmartRelease™	$X \leq 2440\text{mm}$	$Y \leq 2440\text{mm}$	89mm
		$Y > 2440\text{mm}$	114mm
	$X > 2440\text{mm}$	All heights	114mm

Note:
We will not automatically match fascia sizes for entire order unless "Side by Side" is chosen or specified in special instructions. Customers must choose the "Side by Side" option while placing the order to avoid any matching issues.

This table is for reference only. There may be exceptions due to matching purposes or size ratio. E.g.: Normally, 89mm fascia is for shades with width $\leq 1524\text{mm}$ with 43mm tube. But when the size ratio exceeds 1:5, the tube size will be upgraded to 52mm. In this situation, the fascia size will be provided according to the rule of 52mm tube size as well.

Custom Made Roller Shade Program		
Custom Made Roller Shade Santa Fe	Code	RR-001
	Edition	N
	Page	10 / 71
	Update Date	2026/01/15

Continuous Cord Loop with Valance



No	Description
1	Valance Return
2	Valance
3	Valance Clip
4	Valance Bracket
5	Raceway
6	Bead Chain
7	Safety Tension Device
8	Hem Bar
9	Fabric

Fabric Valance
(Available size: 89mm/114mm/152mm/203mm)

114mm Wood Modern Valance

Fabric Valance Sizes:

System	Width X	Length Y	Fabric Valance Size Options
Chain clutch/Motorized/PrecisionLift™ Cordless	X ≤ 2440mm	Y ≤ 2440mm	89mm/114mm/152mm/203mm
		Y > 2440mm	114mm/152mm/203mm
	X > 2440mm	Y ≤ 1829mm	89mm/114mm/152mm/203mm
		Y > 1829mm	114mm/152mm/203mm
SmartRelease™	X ≤ 2440mm	Y ≤ 2440mm	89mm/114mm/152mm/203mm
		Y > 2440mm	114mm/152mm/203mm
	X > 2440mm	All heights	114mm/152mm/203mm

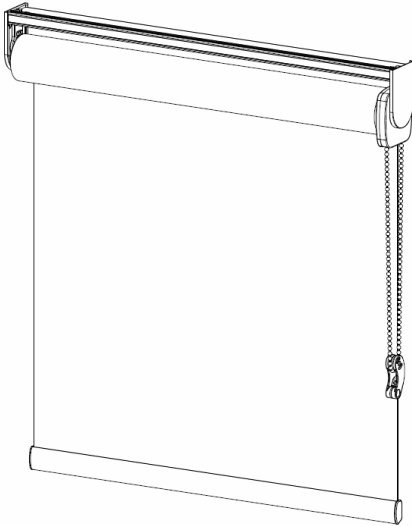
Note:

1. This table is for reference only. There may be exceptions due to size ratio. If the Cordloop shade sizes over 1:5 ratio width vs length, the tube size will be upgraded. In this situation, the valance size will be provided according to the rule of 52mm tube size.
2. We will not automatically match valance sizes for entire order unless "Side by Side" is chosen or specified in special instructions. Customers must choose the "Side by Side" option while placing the order to avoid any matching issues.

Custom Made Roller Shade Program		
Custom Made Roller Shade Santa Fe	Code	RR-001
	Edition	N
	Page	11 / 71
	Update Date	2026/01/15

SmartRelease™

This exclusive and patent-pending innovation to cord loop systems allows the shade to be released or lowered from an upward position with a gentle pull.



Raceway is the default for SmartRelease™ whether or not there is a top treatment, without additional surcharge.

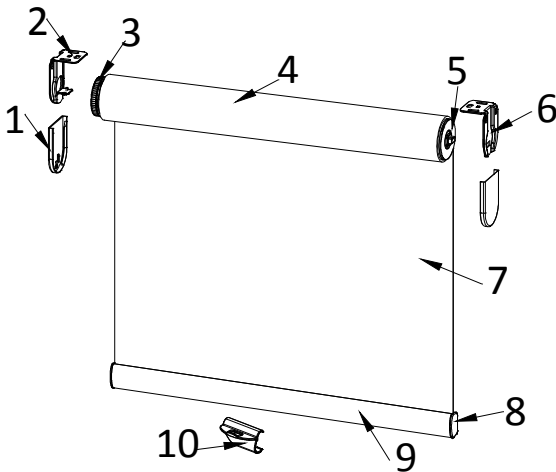
For Smart Release™, the available clutch size is 43mm (max width: 2440mm) and 52mm (max width: 3000mm).

. Spring Assist

- . Must meet min width of 762mm (due to the length of spring assist)
- . Must exceed lift load of 4.4 lbs*
- . Spring assist maximum lift load is 12 lbs

* Please note the Spring Assist is primarily designed to operate with heavier lift loads. And it is default provided for the shades with lift loads between 4.4 lbs and 12 lbs.

PrecisionLift™ Cordless



No.	Description	Remark
1	Bracket Cover	For shade brackets Default for inside mount & outside mount
2	Shade Bracket	For Tension Dial side
3	Tension Dial	
4	Tube	
5	End Plug	
6	Shade Bracket	For End Plug side
7	Fabric	
8	Hem Bar End Cap	
9	Hem Bar	
10	Handle	

Featuring exclusive one-touch lift technology for quick, accurate, and nimble control. To lower, gently pull the shade by lifting the handle to the desired position. To raise, just push the Hem Bar to the desired height. No additional pulling or tugging is required.

If the shade does not stay at the desired location, it can be fine-tuned with the tension adjustment dial.

Note:

-Raceway is optional for PrecisionLift™ Cordless when ordered without top treatment. Raceway is default when ordered with a top treatment.

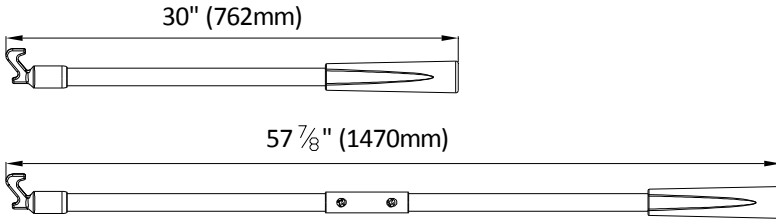
-PrecisionLift™ Cordless is not available for Coupled Shades.

-One black fiberglass pole will be supplied per Non-LG360 cordless shade order automatically. One extra pole per shade can be purchased with a nominal fee and length can be selected 762mm or 1470mm.

Max order length ≤ 2440mm, we will provide one 762mm fiberglass pole.

Max order length > 2440mm, we will provide one 1470mm combination fiberglass pole.

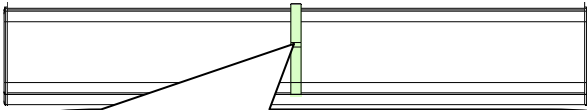
Custom Made Roller Shade Program		
Custom Made Roller Shade Santa Fe	Code	RR-001
	Edition	N
	Page	12 / 71
	Update Date	2026/01/15



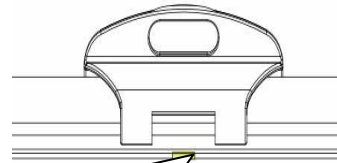
Important Disclaimers:

Aligned bottom bars level: For side by side PrecisionLift™ Cordless shades, the amount of bottom bar exposed when the shade is raised all the way to the top may vary, depending on speed when lifting the shade and other factors. Therefore, we can't guarantee the bottom bars are lined up perfectly when shades are raised to the top.

Telescoping: To prevent telescoping, the shade handle must be placed in the center of hem bar and pull or raise it vertically when operating. If telescoping occurs, please adjust the shade by pulling and raising it vertically again until shade can operate smoothly.



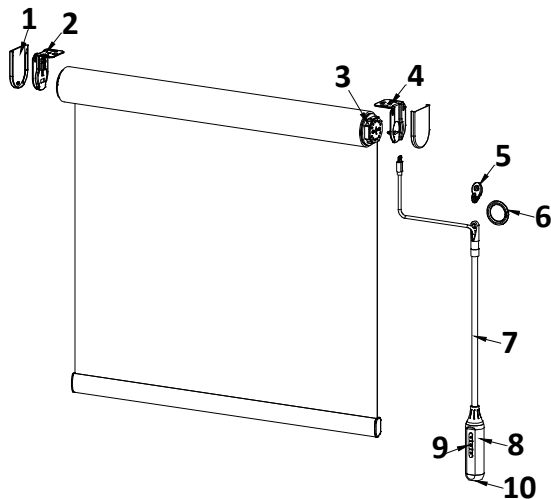
This label indicated the center will be attached on the back of Hem Bar and help customers to attach Handle to the midmost location of Hem Bar.



The center of the Handle should be aligned with the label.

Motorized

AutoWand™ motorization



No	Description
1	Bracket Cover
2	Shade Bracket
3	Motor
4	Shade Bracket
5	Hook
6	Ring
7	Control Wand
8	Handle
9	Control Buttons
10	USB Charging Port

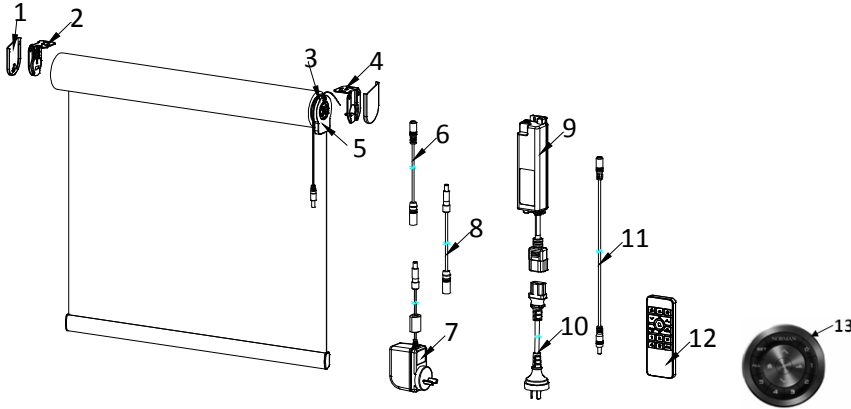
The AutoWand™ motorization comes with electrically rechargeable lithium ion batteries.

- The motorization comes with a control wand for each shade.
- Please charge the AutoWand™ motor regularly, regardless of the power level, with our recommendation being at least once every six months. This will ensure the shade is always powered and enhance the life of the product further.
- The AutoWand™ will take 5-6 hours to charge from 0-100%. When charging the AutoWand™ via the USB charging port, the LED will indicate: Red – charging, Green – fully charged. If the shade does not respond to the wand commands, it is likely out of battery and requires charging. If the shade operates intermittently or stops part way through a movement, it is likely low and battery and requires charging.

Custom Made Roller Shade Program		
Custom Made Roller Shade Santa Fe	Code	RR-001
	Edition	N
	Page	13 / 71
	Update Date	2026/01/15

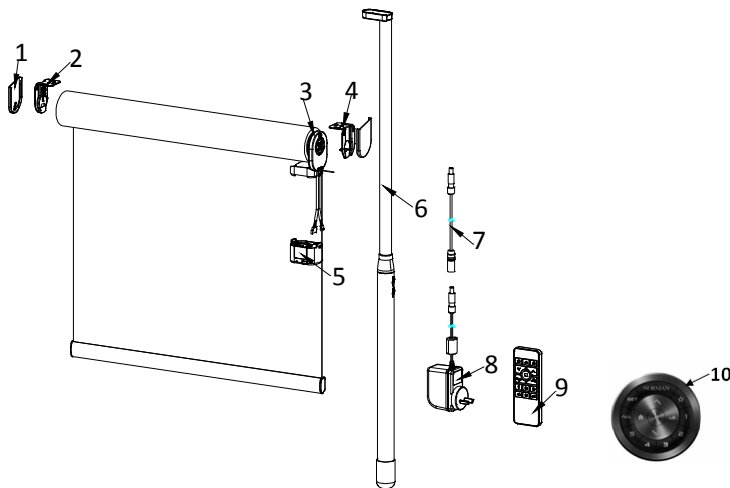
Norman Smart motorization

AC Adapter Plug-In (MRS-32A)



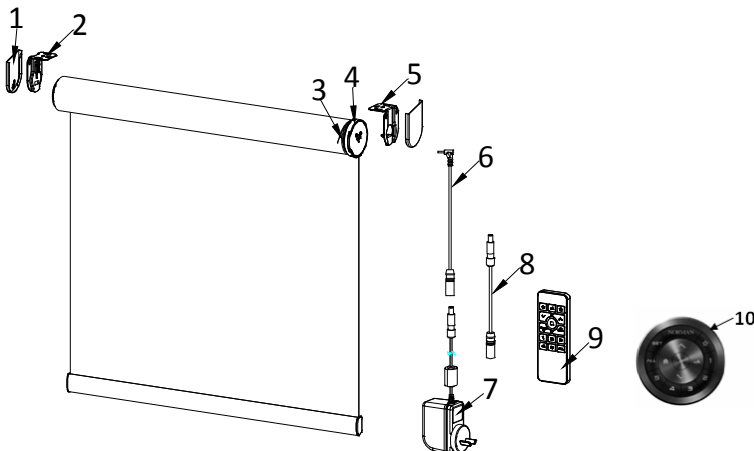
No	Description
1	Bracket Cover
2	Shade Bracket
3	Motor
4	Shade Bracket
5	Button Box
6	36W Adapter Connector Cord
7	36W Adapter
8	36W Adapter Extension Cord
9	65W Adapter
10	65W Adapter AC Power Cord
11	65W Adapter Extension Cord
12	Standard 5 Channel Remote
13	SmartDial™ 5 Channel Remote

Rechargeable Battery with Charging Wands (MRS-32B)



No	Description
1	Bracket Cover
2	Shade Bracket
3	Motor
4	Shade Bracket
5	Charging Port for Power Charger
6	Charging Wand (Power Charger)
7	36W Adapter Extension Cord
8	36W Adapter
9	Standard 5 Channel Remote
10	SmartDial™ 5 Channel Remote

Rechargeable Battery with AC Adapter (MRS-32C)



No	Description
1	Bracket Cover
2	Shade Bracket
3	Motor
4	Wire Connector Box
5	Shade Bracket
6	32C Adapter's Connector Cord
7	36W Adapter
8	36W Adapter Extension Cord
9	Standard 5 Channel Remote
10	SmartDial™ 5 Channel Remote

The motorization can choose between battery powered and AC adapter plug-in for motorization options.

- Operate from a 5-Channel remote. Each shade must be assigned to a channel.
- Rechargeable Battery with charging wand: Wired and Wireless charging wand shade selections can match.
- AC Adapter Plug-in: 36W and 65W cannot match, the same adapter type must be specified for side by side shades.

Custom Made Roller Shade Program			
Custom Made Roller Shade Santa Fe		Code	RR-001
		Edition	N
		Page	14 / 71
		Update Date	2026/01/15

4. Size Considerations

Shade Type	Width(mm)														Height(mm)					
	Continuous Cordloop(chain)		Smart Release		Cordless		Motorised								Min.	Max.				
	Min.	Max.	Min.	Max.	Min.	Max.	MRS-32A		MRS-32B		MRS-32C		AutoWand							
Single Shade	203	3000	305	3000	242	3000	407	3000	610	3000	610	3000	559	3000	305	3660				
Dual Shades									-	-							-	-	-	-
Coupled- 2 on 1	610	6000	-	-	-	-	814	6000	1220	6000	1220	6000	1118	6000						
Coupled Dual Shades			-	-	-	-			-	-							-			
Coupled- 3 on 1			915	-	-	-			-	1221							1830	6000	1830	1677
Coupled- 4 on 1			1220	-	-	-			-	1628							2440	6000	2440	2336

Notes:

- This table is for reference only. There may be exceptions due to different material, width and weight of the fabrics. For details by fabric, refer to the fabric information on **Appendix 1**.
- For RD fabrics of Fiji and Bermuda, the max shade length will be 3000mm.
- For Natural fabrics of Maui AB0671, the max shade length will be 3050mm.
- The Max Width for Smart Release shade with Cassette system is 2440mm.
- Due to the limited lift load of clutch and motors, not all fabrics can be made to the maximum size. For the max size of each fabric, please refer to **Appendix 2**.
- The min shade width for Non-LG360 Cordless is 242mm, and the min shade width for LG360 Cordless is 457mm.
- The shade cannot be airfreight when the width exceeds 2800mm.

➤ PrecisionLift™ Cordless has a special width and height size limitation. Refer to charts below.

Tube Size	Non-LG360 System		LG360 System	
	Width X (mm)	Height Y (mm)	Width X (mm)	Height Y (mm)
43mm tube	$242 \leq X \leq 610$	$Y \leq 1829$	$457 \leq X \leq 483$	$Y \leq 1219$
			$483 < X \leq 610$	$Y \leq 1829$
	$610 < X \leq 2440$	$Y \leq 3048$	$610 < X \leq 2440$	$Y \leq 3048$
52mm tube	$610 < X \leq 3000$	$3048 < Y \leq 3660$	$610 < X \leq 3000$	$3048 < Y \leq 3660$

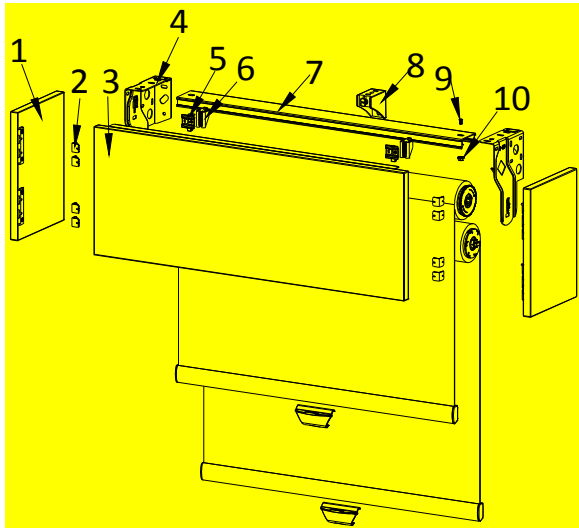
Note: When side by side is selected, the tube will match the tube size of the larger shade. Customers must choose the "Side by Side" option while placing the order to avoid any matching issues. The minimum shade width of 52mm tube for cordless system is 509mm.

- For LG360 Cordless system, when one shade width is under 509mm, then that shade cannot match with the shade which with shade width exceeds 2440mm.
- For Non-LG360 Cordless system, side by side option is not available when the shade width is under 509mm.

Custom Made Roller Shade Program		
Custom Made Roller Shade Santa Fe	Code	RR-001
	Edition	N
	Page	15 / 71
	Update Date	2026/01/15

5. Dual Shades & Coupled Shades & Common Valance

Dual Shades



No.	Description
1	Fabric Valance Return
2	Valance & Return Connector
3	Fabric Valance
4	Shade Bracket (Dual Ultra)
5	Valance Clip
6	Valance Bracket
7	Raceway (universal for inside and outside mount)
8	Raceway Installation Bracket
9	Bolt
10	Nut

- Like two shades in one, Dual Shade features one shade behind another allowing for ultimate light and privacy control.
- Two shades are controlled independently.
- Fabric Roll
Front shade: Reverse roll only (forward roll)
Back Shade: Standard roll (backwards) or Reverse roll (forward roll)
- Control locations:
-For cordless
Front Shade: tension dail is default on right only
Back Shade: tension dail is default on left for standard roll(backwards roll) / on right for reverse roll(forward roll).
-For other lift systems
Default: Front shade on right, back shade on left.
Optional: Front shade on left, back shade on right, or on the same side.
- Available with No top treatment, 203mm or 152mm Fabric Valance
- Raceway
Defaulted for shades with a top treatment.
Optional for shades without a top treatment for all lift systems except Smart Release.
- Dual shades can have different lift systems for the front shade and the back shade
- Available Lift Systems: Continuous Cord Loop, SmartRelease™, PrecisionLift™ Cordless, Motorized

Note:

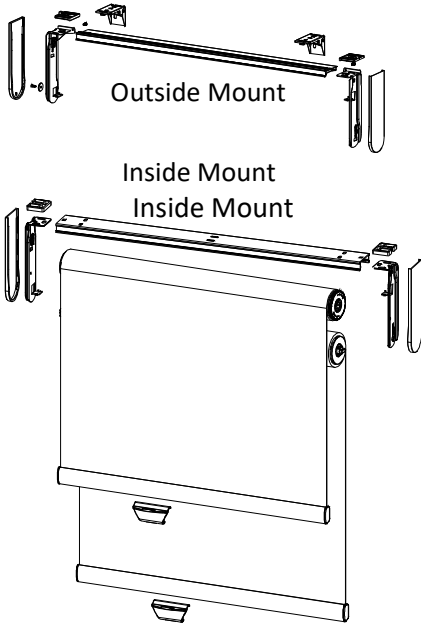
- 1) The minimum (both width & height) is based on the larger of the two minimums.
- 2) All shades would go with the larger tube size based on the larger shade for dual shades with mixed lift systems.

Dual Ultra Bracket Size:

Control System	Shade Width(X)	Shade Height(Y)	Dual Ultra Bracket Size
Chain Clutch/ Motorised/ PrecisionLift™ Cordless	X ≤ 2440mm	Y ≤ 2440mm	139mm
		Y > 2440mm	164mm
	X > 2440mm	Y ≤ 1829mm	139mm
		Y > 1829mm	164mm
SmartRelease™	X ≤ 2440mm	Y ≤ 2440mm	139mm
		Y > 2440mm	164mm
	X > 2440mm	All Shade Heights	164mm

Custom Made Roller Shade Program		
Custom Made Roller Shade Santa Fe	Code	RR-001
	Edition	I
	Page	16 / 67
	Update Date	2025/3/6

Dual Shade Slim



- Like two shades in one, Dual Shade features one shade behind another allowing for ultimate light and privacy control.
- Two shades are controlled independently.
- Front shade will be reverse roll, while the rear shade will be standard roll.
- Control locations:
For cordless, it is only available to be front shade on right / back shade on left.
For other lift systems:
Option 1: Front shade on right / back shade on left
Option 2: Front shade on left / back shade on right.
- Available with No top treatment or 178mm Fabric Valance
- Raceway will be provided by default, regardless of whether or not there is a top treatment.
- Dual shades can have different lift systems for the front shade and the back shade
- Available Lift Systems: Continuous Cord Loop, SmartRelease™, PrecisionLift™ Cordless, & Motorised

*Note:

- 1) The minimum (both width & height) is based on the larger of the two minimums.
- 2) 43mm tube will always be used for dual shades with mixed lift systems.

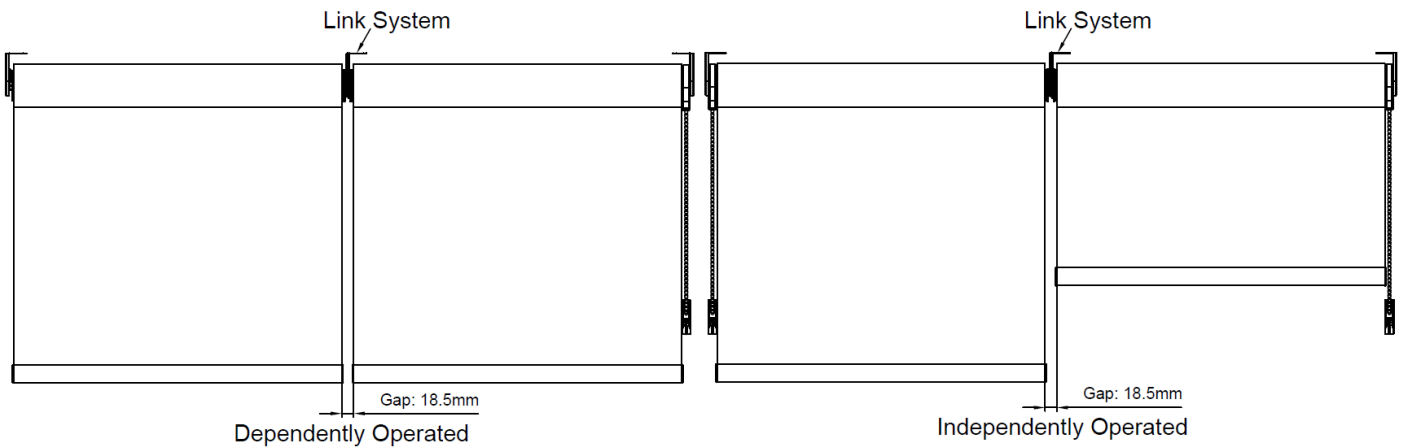
Custom Made Roller Shade Program		
Custom Made Roller Shade Santa Fe	Code	RR-001
	Edition	N
	Page	16 / 71
	Update Date	2026/01/15

Coupled Shades

- Great for side by side windows with small gaps.
- The gap between fabrics of two shades is 18.5mm. Gap size cannot be specified.
- Coupled Shades Options: 2-on-1, 3-on-1, 4-on-1
- Available Lift Systems: Continuous Cord Loop , Motorized
- Available Top Treatment: All Fascia options and Valance options
- Raceway: Defaulted for shades with a top treatment, optional for shades without a top treatment.

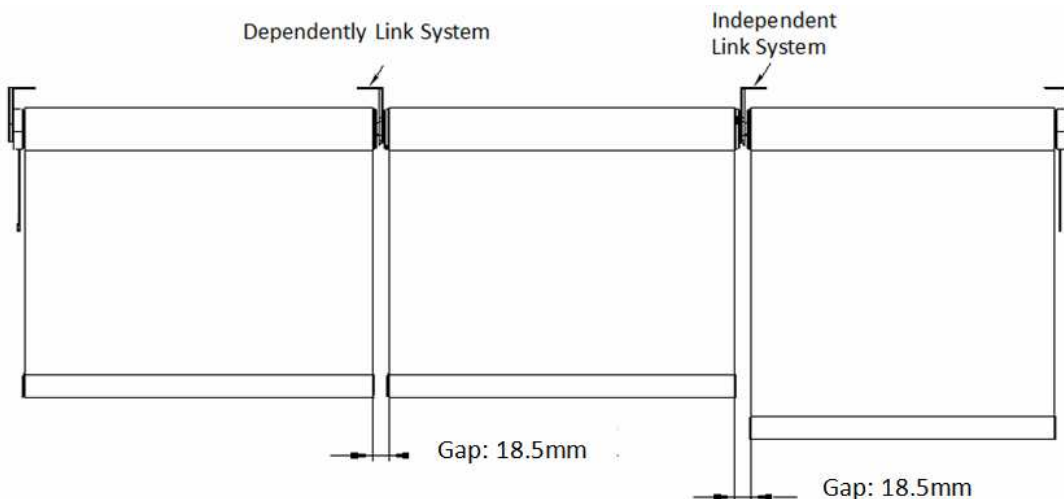
➤ 2-on-1

- Available Operation System:
 - Dependently Operated, allows two shades to be operated together by one control.
 - Independently Operated, allows each shade to be operated separately.
- Control Location for Dependently Operated : Left or Right
- Control Location for Independently Operated: Left shade on left, right shade on right. Optional location is not available.



➤ 3-on-1

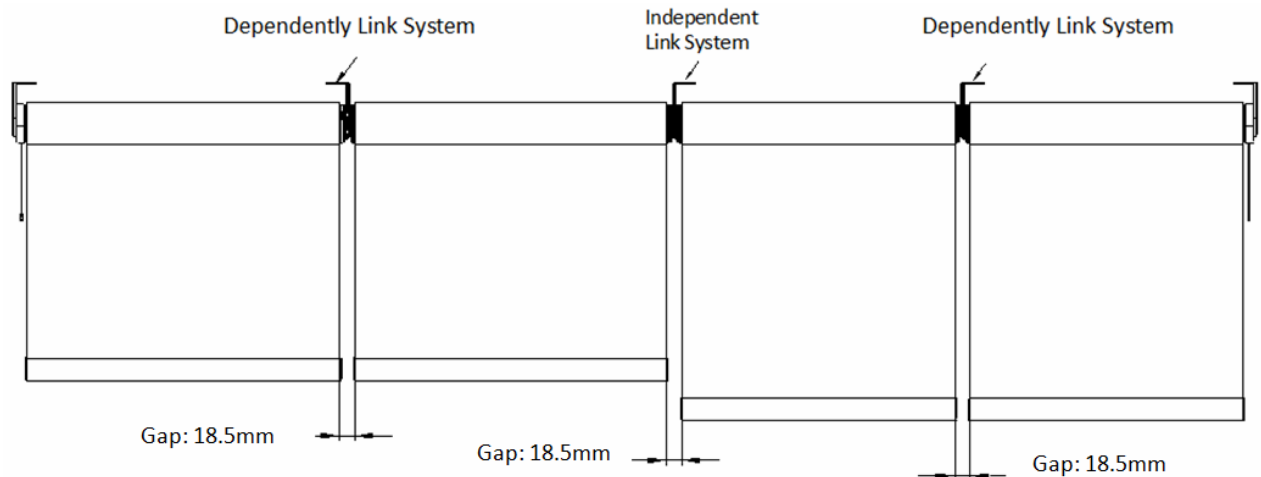
- Choose from Dependently 2 on 1 shades + Single shade.
- The 2 on 1 shades and single shade are operated separately.
- Available Operation System:
 - Left Dependently 2 on 1 Shades + Right Single Shade
 - Left Single Shade + Right Dependently 2 on 1 Shades
- Control Location: Left shade on left, right shade on right. Optional location is not available.



Custom Made Roller Shade Program		
Custom Made Roller Shade Santa Fe	Code	RR-001
	Edition	N
	Page	17 / 71
	Update Date	2026/01/15

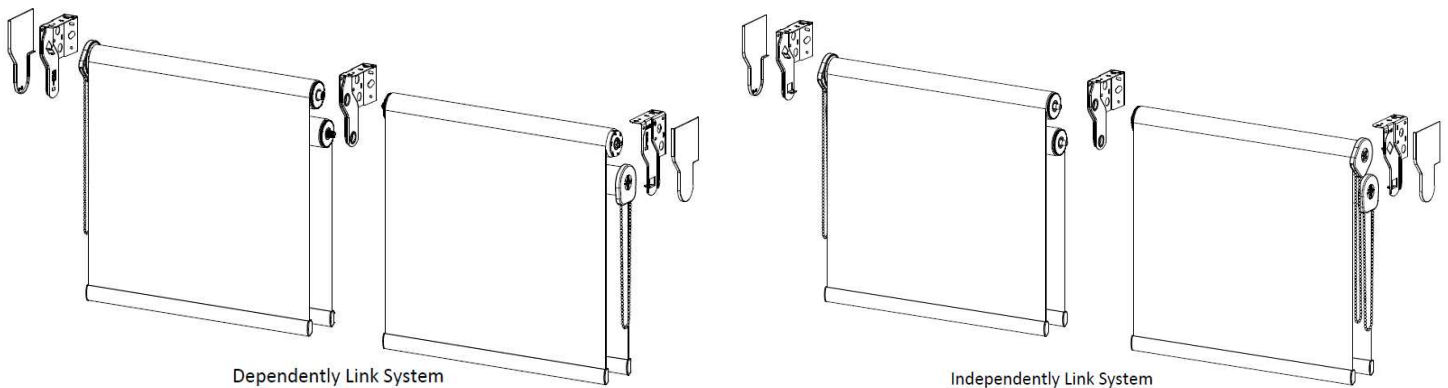
➤ 4-on-1

- Choose from two dependently 2 on 1 shades.
- Each of the 2 on 1 shades are operated separately.
- Available Operation System: Left Dependently 2 on 1 Shades + Right Dependently 2 on 1 Shades
- Control Location: Left shade on left, right shade on right. Optional location is not available.



Coupled Dual Shades

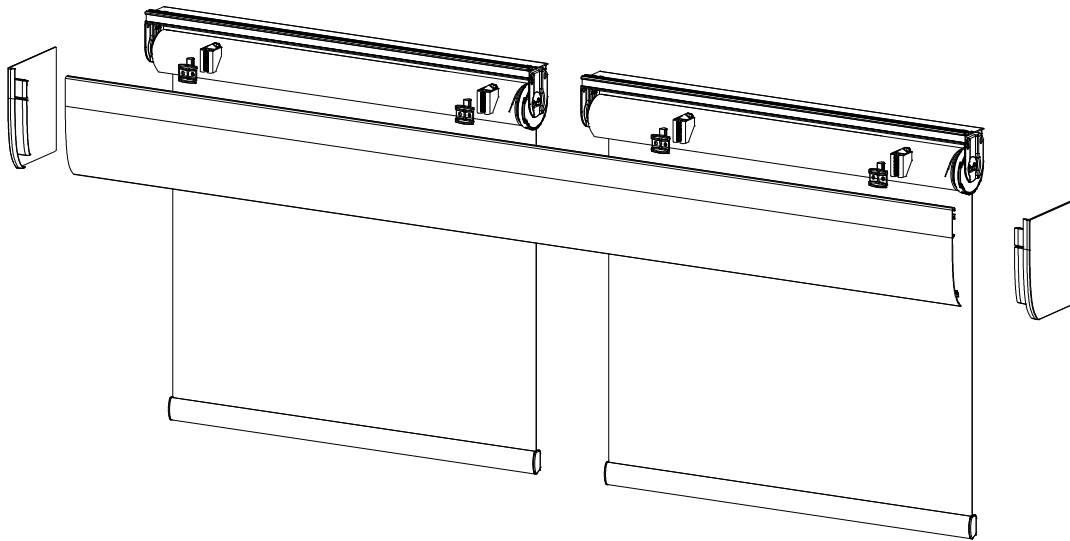
- Two linked Dual Shades. The gap between fabrics of two shades is 18.5mm. Gap size cannot be specified.
- Available Operation System:
 - Dependently Operated, allows two front shades to be operated together by one control and two back shades to be operated together by one control.
 - Independently Operated, allows each shade to be operated separately.
- Available Control Systems: Continuous Cord Loop, Motorized
- Control Location for Dependently Operated System:
 - Default: Front shades on right, back shades on left.
 - Optional: Front shades on left, back shades in right, or on the same side.
- Control Location for Independently Operated System: All left shades on left, all right shades on right. Optional location is not available.
- Available Top Treatment: 152mm Fabric Valance, 203mm Fabric Valance
- Raceway: Defaulted for shades with a top treatment. Optional for shades without a top treatment.



Custom Made Roller Shade Program		
Custom Made Roller Shade Santa Fe	Code	RR-001
	Edition	N
	Page	18 / 71
	Update Date	2026/01/15

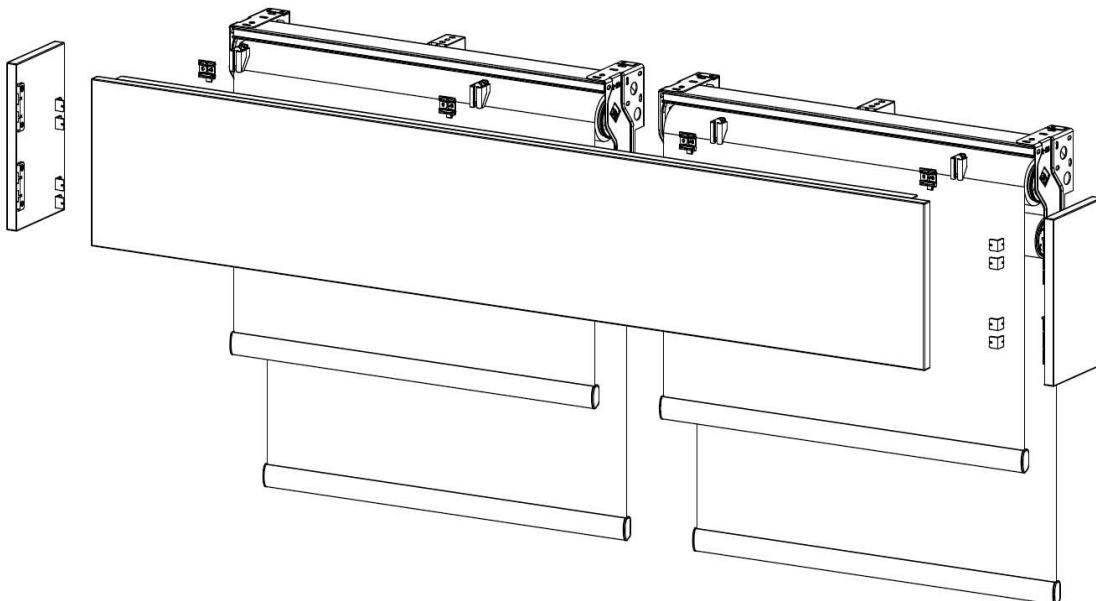
Common Valance

- Available for all lift systems.
- Available Top Treatment: All fascia options and valance options
- One Common Valance can share by up to 4 single shades.
- Each shade lifts and operates independently.
- The gap size between top installed brackets of two shades default to be 0mm, maximum gap size up to 305mm.
- For Cordless shades, Common Valance not available if any shade width under 509mm.



Common Valance Dual Shades

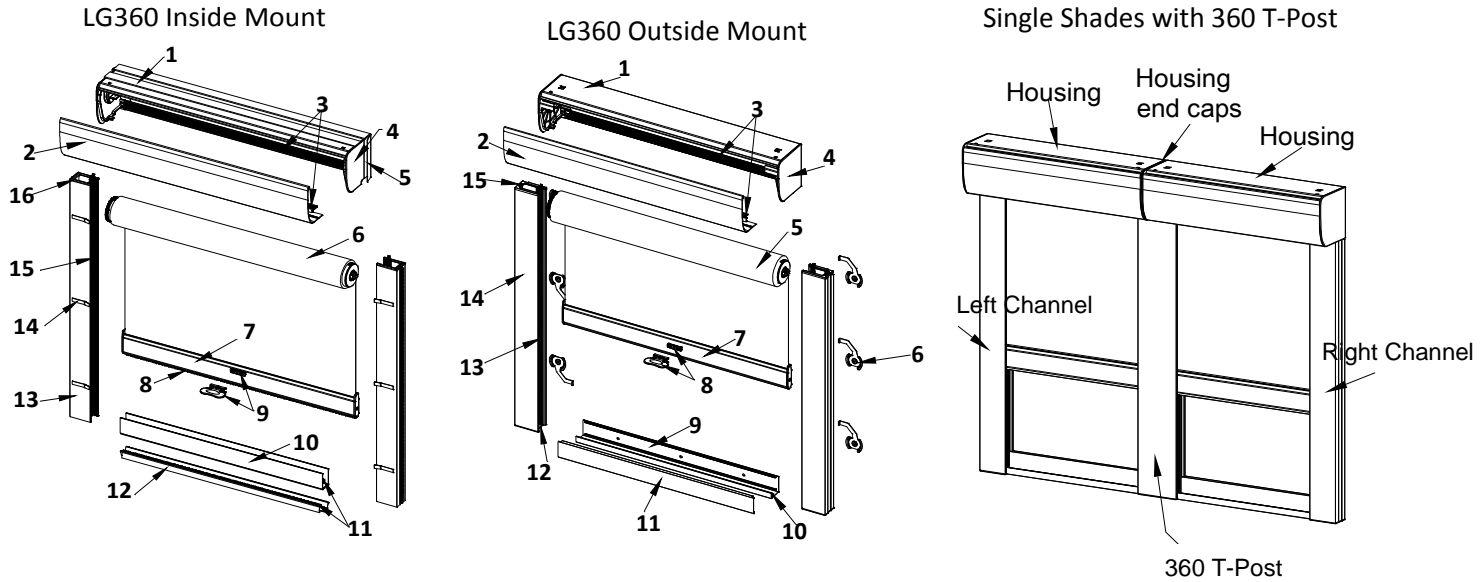
- Available for all lift systems.
- Available Top Treatment: 152mm Fabric Valance, 203mm Fabric Valance
- One Common Valance can share by up to 4 dual shades.
- Each shade lifts and operates independently.
- The gap size between top installed brackets of two shades default to be 0mm, maximum gap size up to 305mm.
- For Cordless shades, Common Valance Dual Shades not available if any shade width under 509mm.



Custom Made Roller Shade Program		
Custom Made Roller Shade Santa Fe	Code	RR-001
	Edition	N
	Page	19 / 71
	Update Date	2026/01/15

6. LightGuard 360™ system

LightGuard 360™ is an all-around solution designed to eliminate most light, but there may be some minor light seepage.



No.	Description
1	Housing
2	Housing cover
3	Wool pile strip
4	Housing end caps
5	Light block film
6	Fabric tube
7	LightGuard 360 hem bar
8	Hembar Wool pile strip(for no bottom channel)
9	Handle with base
10	Inside Mount U shade Bottom channel
11	Bottom channel wool pile
12	Inside Mount M shape Bottom channel
13	Side channels
14	Screw location labels
15	Side channel wool pile
16	Side channel top caps

No.	Description
1	Housing
2	Housing cover
3	Wool pile strip
4	Housing end caps
5	Fabric tube
6	Swivel brackets
7	LightGuard 360 hem bar
8	Handle with base
9	Bottom channel
10	Bottom channel wool pile
11	Bottom channel cover
12	Side channel bottom caps
13	Side channel wool pile
14	Side channel
15	Side channel top caps

Application Availability:

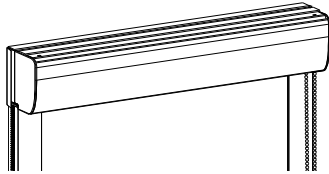
- Continuous CordLoop(Chain), Motorized, Cordless lift systems
- Available with all fabric colors
- Mounting Type: Inside mount, Semi-Inside mount, Outside Mount
- Shade Type: Single shade only
- Fabric Roll: Standard roll only.(backwards roll)
- Installation Type: Install on Window
- Hem Bar: Plain only, available in 6 colors (White, Cottage White, Bianca, Silver, Black, Bronze).

Structure: All-around solution with Housing, Side Channels and Bottom Channels. Optional “360 T-Post” is available.

- Integrated Housing comes standard.

Custom Made Roller Shade Program		
Custom Made Roller Shade Santa Fe	Code	RR-001
	Edition	N
	Page	20 / 71
	Update Date	2026/01/15

- Housing Cover with End caps.
- Housing is available in 6 colors: White, Cottage White, Bianca, Silver, Black, Bronze. The housing color selection color will determine the side channels/bottom channel/360 T-Post and end cap colors.
- Housing Type: Plain, Fabric-Wrapped (On front side of housing cover only. The fabric defaults to the selected shade fabric. Optional fabric selection is available)
- Housing/Housing Cover Size: 89mm, 114mm (for larger shades)
- Tube and Housing size will vary based on shade size. For matching purposes, Side by Side must be selected.



Plain



Fabric-Wrapped

LightGuard 360 Housing:

Mounting Type	Lift System	Width X	Length Y	Housing & Housing Cover
Inside Mount / Semi-Inside Mount / Outside Mount	Continuous Cordloop / Motorized / Cordless	$X \leq 2440\text{mm}$	$Y \leq 2440\text{mm}$	89mm
			$Y > 2440\text{mm}$	114mm
		$X > 2440\text{mm}$	$Y \leq 1829\text{mm}$	89mm
			$Y > 1829\text{mm}$	114mm

*This table is for reference only. There may be exceptions due to matching purposes.

*For size matching purposes, please select Side by Side during order entry when the same housing size is required.

- Bottom Channels
 - **Inside Mount Options:** A bottom channel is required for inside mount. Select from 2 bottom channel types:
 - "U" Bottom Channel
 - Low-profile "M" Bottom Channel
 - For windows with sills, No Bottom Channel can be selected.
 - **Outside Mount Options:** The Standard OM bottom channel is provided by default.
 - For window with sills, 3 options are available, select from the "IM-U", "IM-M" Bottom Channel or No Bottom Channel.
- Side Channels
 - Side Channels with top and bottom caps.
 - IM & Semi-IM housing, bottom channels, and side channels will be pre-drilled.
 - OM housing and bottom channels will be pre-drilled. The side channels will not be pre-drilled.
- 360 T-Post(Optional)
 - 360 T-Post with top and bottom caps.
 - One 360 T-Post Bracket is included per post. T-Post bracket is hidden within the T-Post and will be provided in blue zinc-plated only. Optional color override is not available.
 - Great for shades installed side by side in one window. In the initial stage, up to 4 shades in one window opening can be specified. Each shade lifts and operates independently.
 - When the single shade in one window opening are more than quantity 2, all shades in that window opening are available with a cordless lift system only.

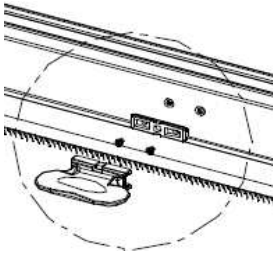
Control Location and Power Cord Position:

Lift System	Control Location		Power Cord Position
	Shade Without T-Post	Shade With T-Post	
Chain Loop			N/A
Motorized	Left or Right	Left shade on left, right shade on right.	IM & Semi-IM: For MRS-32A, 32C motors: Backside(default), Frontside(optional)
		Optional location is not available.	For MRS-32B, AutoWand(AM25) motors: Frontside only
Cordless	Left only	Left only	N/A

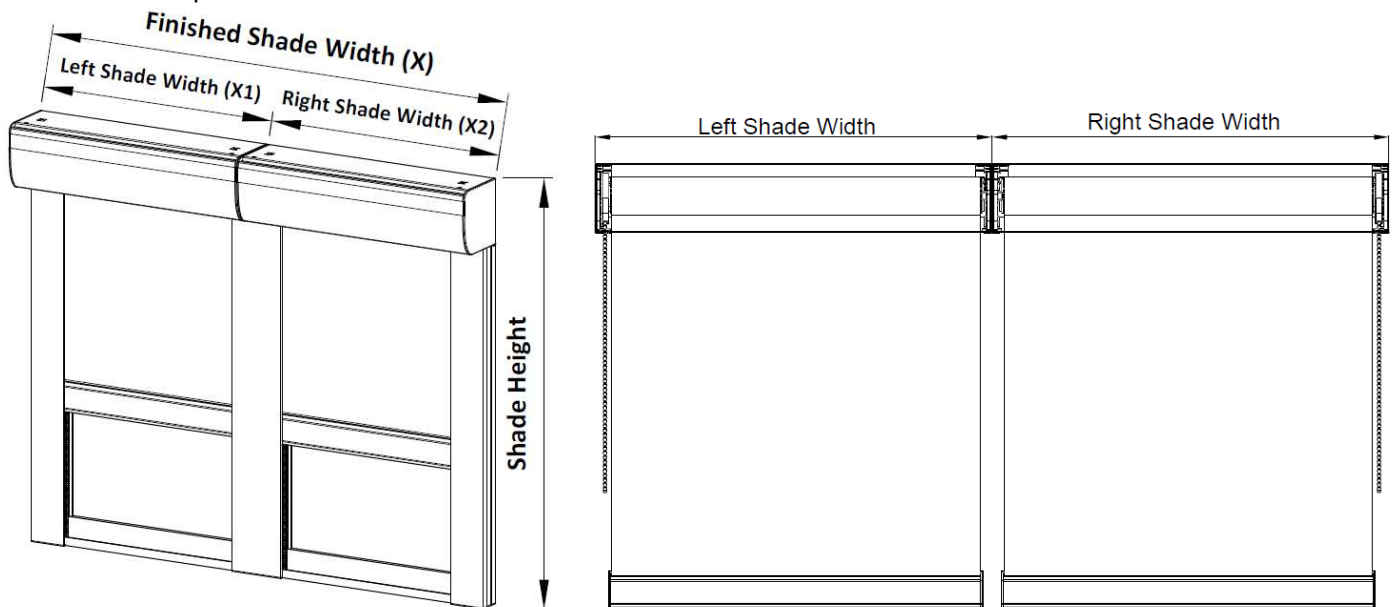
Custom Made Roller Shade Program		
Custom Made Roller Shade Santa Fe	Code	RR-001
	Edition	N
	Page	21 / 71
	Update Date	2026/01/15

General Specifications:

- Light Guard 360™ housing is available in 6 colors. These are optional colors that must be specified, with no defaults based on the fabric selection.
- The color of Side Channels, Bottom Channels, 360 T-post will be default to match with housing color, optional color override is not available. (Including top and bottom caps)
- The color of plastic chain and hem bar will be default to color coordinate with housing color, optional color override is available.
- The General Hardware components (including brackets, clutch, end plugs, tension dial) are provided in Black by default, optional color override is available.
- The default color for the MRS-32A button box and MRS-32C wire connector box will be Black, White is optional and needs to be specified in Special Instructions.
- The color of charging port for MRS-32B motor will be default to match with housing color, optional color override is not available.
- Wool pile strip will be provided on housing, housing cover, side channels, bottom channels and 360 T-Post by default. When shade without bottom channel, the wool pile will be provided on hem bar, and the wool pile will not be provided on hem bar when shade with bottom channel.
- Expansion foam will be provided by default. (IM: the top of housing, the side of side channels, the bottom of the bottom channel. OM: the backside of side channels only.)
- Spacer Block (shim) and Premium Hardware are not available for Light Guard 360™ System.
- The handle of LightGuard 360™ Cordless is different from regular cordless shade (see below), and the handle placement will be fixed based on the bottom channel type selected.

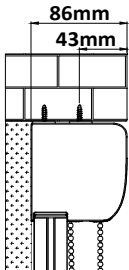
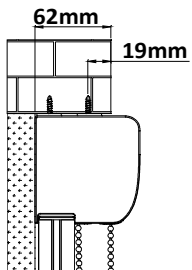
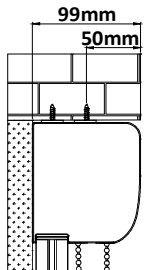
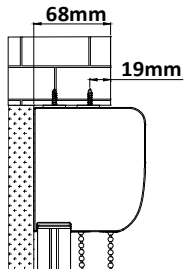


- When single shades with 360 T-Post, the shade width is measured from housing end cap to housing end cap, no gap between end caps.

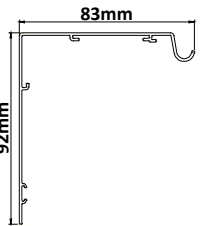
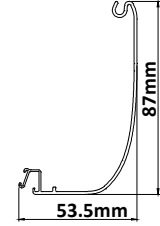
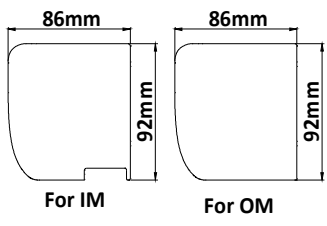
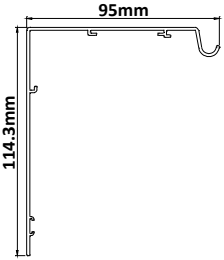
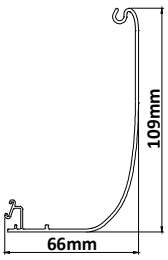
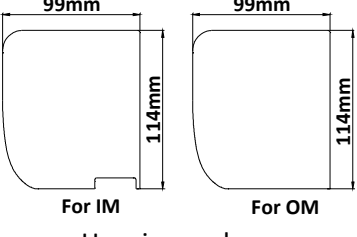
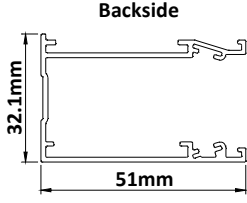
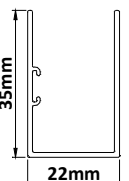
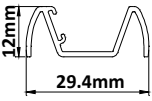
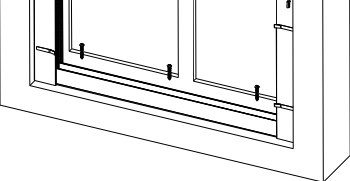


Custom Made Roller Shade Program		
Custom Made Roller Shade Santa Fe	Code	RR-001
	Edition	N
	Page	22 / 71
	Update Date	2026/01/15

Minimum Mounting Depth

89mm Housing & Housing Cover		114mm Housing & Housing Cover	
Full Inside Mount	Semi-Inside Mount	Full Inside Mount	Semi-Inside Mount
			

Components Dimensions

Component	Drawing		
89mm Housing	 Housing	 Housing Cover	 Housing end cap
114mm Housing	 Housing	 Housing Cover	 Housing end cap
Side Channel for both IM & OM	 Backside		
Bottom Channel for IM	 U shape	 M shape	

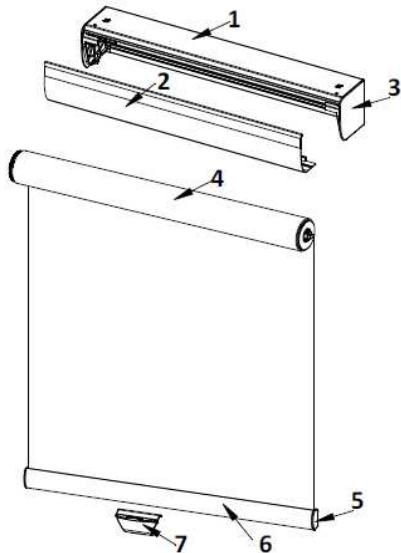
Custom Made Roller Shade Program		
Custom Made Roller Shade Santa Fe	Code	RR-001
	Edition	N
	Page	23 / 71
	Update Date	2026/01/15

Component	Drawing
Bottom Channel with cover for OM	
Swivel Bracket for OM side channels	
360 T-Post (Optional)	
360 T-Post Bracket	
Expansion Foam	<p>Size: 3/8"x3/8" (10x10mm)</p>
LightGuard 360 Cordless Operating Poles (Optional)	<p>Pole with attachment</p> <ul style="list-style-type: none"> • Color: Black • Optional Lengths: 915mm, 1524mm • Max 2 per shade • Not available for Non-LightGuard 360™ system

Custom Made Roller Shade Program		
Custom Made Roller Shade Santa Fe	Code	RR-001
	Edition	N
	Page	24 / 71
	Update Date	2026/01/15

7. Cassette System

Ideal for window or door applications where a secured cassette is necessary.



No.	Description
1	Cassette (Housing)
2	Cassette cover
3	Cassette end caps
4	Fabric tube
5	Hem bar end cap
6	Hem bar
7	Handle (For Cordless only)

Application Availability

- Continuous CordLoop(Chain), SmartRelease™, Motorized, Cordless lift systems
- Available with all fabric colors
- Mounting Type: Inside mount, Semi-Inside mount, Outside Mount. All mount types include a pre-drilled cassette.
- Shade Type: Single shade only
- Fabric Roll: Standard roll only (backwards roll)
- Installation Type: Install on Window, Install on Door
- Hem Bar: Plain, Fabric-Wrapped (same as normal)
- Control Location: Left or Right
- Motor Type: MRS-32A, MRS-32C, AutoWand(AM25)

Structure: Integrated Cassette with Shade for Windows or Doors

- Standard Specs: Cassette comes standard with shade
- Integrated Cassette housing comes standard
- Cassette Cover with End Caps:
 - Cassette is available in 5 colors: White, Cottage White, Bianca, Silver, Black. These are optional colors that must be specified, with no defaults based on the fabric selection. The color selection color will determine the Cassette, Hem Bar(Plain) and End Cap colors.
 - Fabric Wrapped Cassette is optional. The fabric defaults to the selected shade fabric, optional fabric selection is available. (Note: Shades with the Fabric Wrap option will be limited to the Max Fabric Width of the color selected.)
 - Cassette Size: 89mm or 114mm
 - Tube and Cassette size will vary based on shade size.

General Specifications:

- For Continuous Cordloop(Chain) and SmartRelease™, the bottom of the Cassette cover will have a notch out for the chain.
- The color of plastic bead chain will be default to coordinate with the main fabric, and optional override is available.
- The General Hardware components (including brackets, clutch, end plugs, tension dial) are provided in Black by default, optional color override is available.
- The default color for the MRS-32A button box and MRS-32C wire connector box will be Black, White is optional and needs to be specified in Special Instructions.
- Spacer Block (shim) and Premium Hardware are not available for Cassette System.

Custom Made Roller Shade Program		
Custom Made Roller Shade Santa Fe	Code	RR-001
	Edition	N
	Page	25 / 71
	Update Date	2026/01/15

- For Fabric-Wrapped hem bar, the hem bar and end caps are color-coordinated to match the shade fabric selection, and optional end caps color override is available.
- The Plain hem bar color will coordinate with the Cassette selection as below chart. Optional override is available.

Cassette (Housing) Color	Plain Hem Bar Color
3058 White	3058 White
3094 Cottage White	3094 Cottage White
3012 Bianca	3012 Bianca
3208 Black	3208 Black
3129 Silver	4101 Anodized Silver

Cassette & Cassette Cover Size:

Mounting Type	Lift System	Width X	Length Y	Cassette & Cassette Cover
Inside Mount Semi-Inside Mount Outside Mount	Continuous Cordloop Motorized Cordless	$X \leq 2440\text{mm}$	$Y \leq 2440\text{mm}$	89mm
			$Y > 2440\text{mm}$	114mm
		$X > 2440\text{mm}$	$Y \leq 1829\text{mm}$	89mm
			$Y > 1829\text{mm}$	114mm
	SmartRelease™	$X \leq 2440\text{mm}$	$Y \leq 2440\text{mm}$	89mm
			$Y > 2440\text{mm}$	114mm

*This table is for reference only. There may be exceptions due to matching purposes.

*For size matching purposes, please select Side by Side during order entry when the same housing size is required.

Minimum Mounting Depth

89mm Cassette & Cassette Cover		114mm Cassette & Cassette Cover	
Full Inside Mount	Semi-Inside Mount	Full Inside Mount	Semi-Inside Mount

Components Dimensions

Component	Drawing		
89mm Cassette			
	Housing	Housing Cover	Housing end cap

Custom Made Roller Shade Program		
<p align="center">Custom Made Roller Shade Santa Fe</p>	Code	RR-001
	Edition	N
	Page	26 / 71
	Update Date	2026/01/15

Component	Drawing		
<p>114mm Cassette</p>	<p>Housing</p>	<p>Housing Cover</p>	<p>Housing end cap</p>

Cassette Deductions

Mounting Type	Finished Width (including end caps)
IM	Cassette Width = Order Width-3.2mm
OM	Cassette Width = Order Width


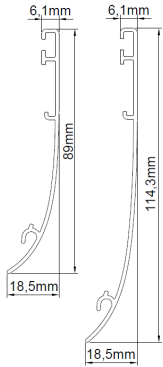

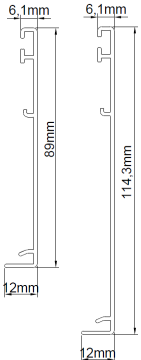

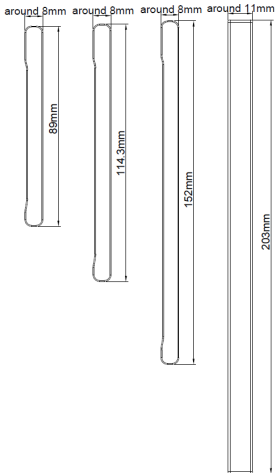
Fabric Width Deduction for Cassette System

Single Shade - Inside Mount				
System	Shade Width	Shade Length	Tube Dimensions	Fabric width
Continuous Cordloop	203mm to 2440mm	305mm to 3660mm	43mm	Fabric Width=Order Width – 38.5mm
	203mm to 3000mm		52mm	Fabric Width=Order Width – 39.5mm
SmartRelease™	305mm to 2440mm		43mm	Fabric Width=Order Width- 42mm
PrecisionLift™ Cordless	242mm to 3000mm	305mm to 3660mm	43mm, 52mm	Fabric Width=Order Width- 33mm
Motorized-MRS-32A	407mm to 3000mm	305mm to 3660mm	43mm, 52mm	Fabric Width=Order Width- 37.5mm
Motorized-AutoWand(AM25)	559mm to 3000mm			
Motorized-MRS-32C	610mm to 3000mm		43mm, 52mm	Fabric Width=Order Width- 39mm


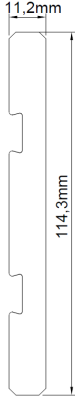
Note: For outside mount, the fabric width deduction is 3.2mm less than inside mount deduction.

Custom Made Roller Shade Program		
Custom Made Roller Shade Santa Fe	Code	RR-001
	Edition	N
	Page	27 / 71
	Update Date	2026/01/15

8. Fascia & Valance Options

Options	Profile	Color	Size(mm)	Remark
 <p>Curve Fascia</p>		<p>Plain: White, Cottage White, Bianca, Black; Optional: Anodized Silver</p> <p>With fabric: Fabric: Defaults to the shade fabric; Optional to select a different fabric. End Cap: White, Cottage White, Nature, Terra, Sahara, Chocolate, Silver, and Black</p>	89 or 114	<ul style="list-style-type: none"> For fascia with fabric, max width is subject to fabric max width. When fascia width exceeds max fabric width, the fascia will be center spliced with connector supplied by default. For Anodized Silver fascia, the fascia end caps will be provided in white by default. Anodized Silver is not available for curved fascia with fabric.
 <p>Square Fascia</p>		<p>White, Cottage White, Bianca, Black. Optional: Anodized Silver</p>	89 or 114	<ul style="list-style-type: none"> For Anodized Silver fascia, the fascia end caps will be provided in white by default.
 <p>Fabric Valance</p>		<p>Default: Same as shade fabric.</p> <p>Optional: Available in all fabrics.</p> <p>For Dual shades, the fabric of the valance will be default same as front shade fabric. Optional to select a different fabric.</p>	89,114, 152,203	<ul style="list-style-type: none"> Max width is subject to fabric max width. When valance width exceeds (max fabric width – 178mm), the valance will be center spliced with connector supplied by default. Drapery returns available for semi inside mount & outside mount. For Outside Mount, Return Size: Default: Standard(based on shade size & fabric) Custom: Longer than standard 3~25mm For Semi-Inside Mount, Return Size: Default: 25mm Custom: 203mm Valance→25~114mm 89/114/152mm Valance→13~114mm

Custom Made Roller Shade Program		
Custom Made Roller Shade Santa Fe	Code	RR-001
	Edition	N
	Page	28 / 71
	Update Date	2026/01/15

Options	Profile	Color	Size(mm)	Remark
 <p>Wood Modern Valance</p>		<ul style="list-style-type: none"> •Paint: Pure White, Silk White, Pearl, Crisp Linen, Stone Gray, Clay •Stain: Limed White, Dark Teak, Weathered Teak, Wenge, Black Walnut, Matte Black 	114	<ul style="list-style-type: none"> • Valance returns available for semi inside mount & outside mount. • For Outside Mount, Return size: Default: Standard(based on shade size & fabric) Custom: Longer than standard 3~25mm • For Semi-Inside Mount, Return size: Default: 25mm Custom: 13mm~114mm

Note: Top treatments are not recommended for door applications.

Splicing Top Treatments

Valance/Fascia wider than its maximum limitations will be spliced. A top treatment joinery method is required to provide support on all spliced valances/fascias.

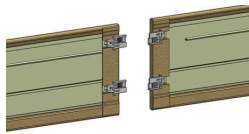
- Valance with return: valance inner width wider than 2381mm, it will be center spliced.
- Valance without return: valance width wider than 2413mm, it will be center spliced.
- For common fascia and coupled shade with fascia, fascia width wider than 2413mm (including end cap), it will be center spliced.
- When custom valance/fascia width is requested and it exceeds the maximum size required to be split, the longer section will be equally divided on the left & right sides-regardless of whether there are returns/end caps on one side, both sides, or none at all.

Default: Connector

Valance Connector



Valance connector for Wood Modern Valance

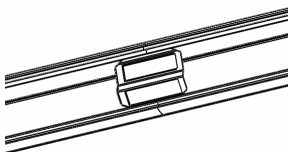


Valance connector for 89mm/114mm/152mm Fabric Valance

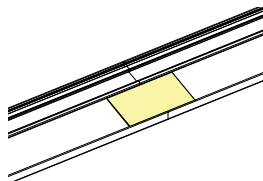


Valance connector for 203mm Fabric

Fascia Connector



Connector for Curved Fascia



Connector for Square Fascia

- When Valance/Fascia wider than its maximum limitations will be spliced, the connector will be included by default.
- Connector splits will be made evenly along the valance/fascia, custom location is not available.

Disclaimer: Nien Made reserves all rights on updating or modification of any contents within this documentation without prior notification.

Custom Made Roller Shade Program		
<p align="center">Custom Made Roller Shade Santa Fe</p>	Code	RR-001
	Edition	N
	Page	29 / 71
	Update Date	2026/01/15

Optional: Keystone (available in V-shape and Square shape)

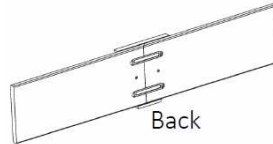
Keystone for Wood Modern Valance:



V-shape Keystone



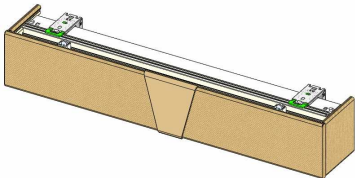
Square shape Keystone



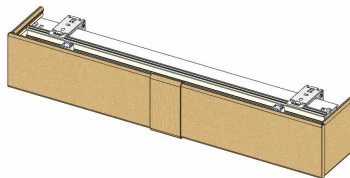
Note:

Keystones for wood valance will be provided with a set of valance connectors for additional support.

Keystone for Fabric Valance:

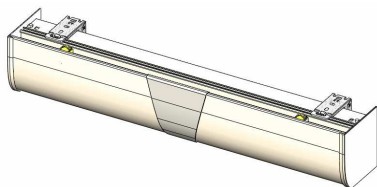


V-shape Keystone

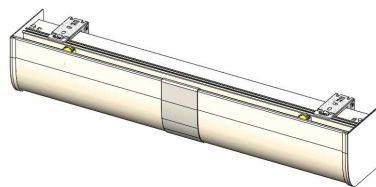


Square shape Keystone

Keystone for Curved Fascia:

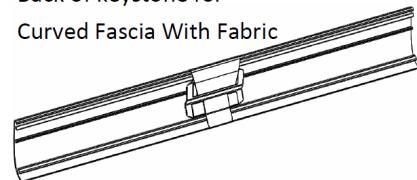


V-shape Keystone



Square shape Keystone

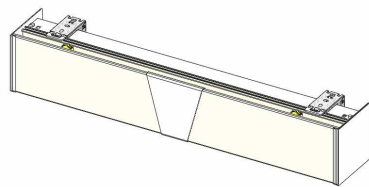
Back of keystone for Curved Fascia With Fabric



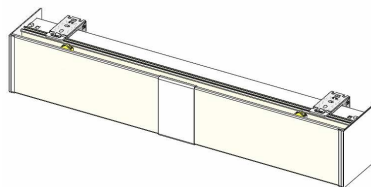
Note:

Keystones for Curved Fascia with Fabric will be provided with a set of fascia connectors for fabric wrapping purposes.

Keystone for Square Fascia:



V-shape Keystone

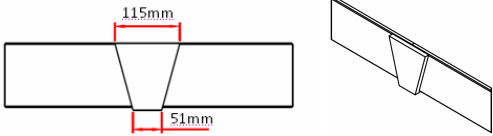



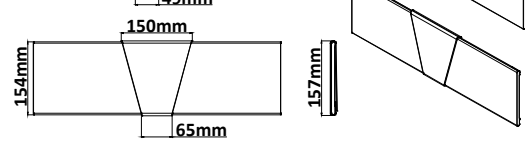


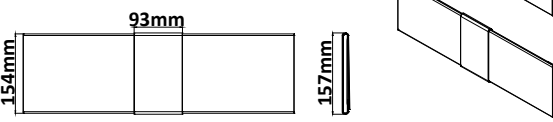
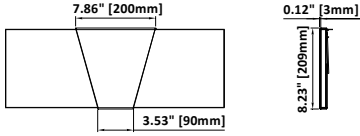
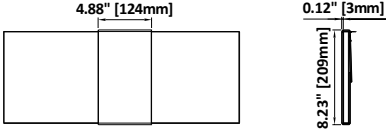
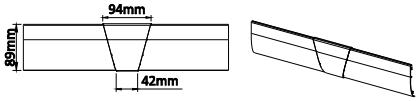
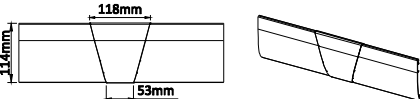
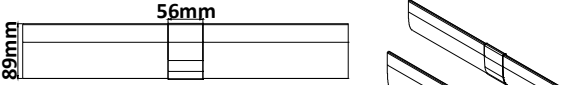
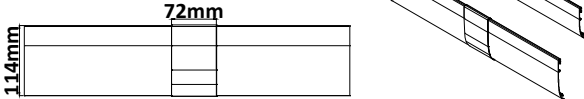
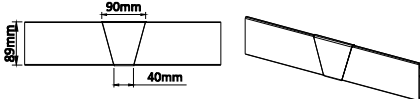
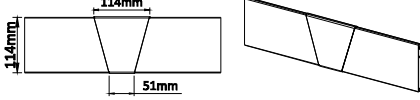
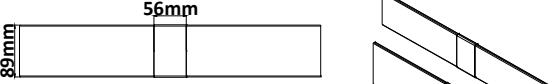
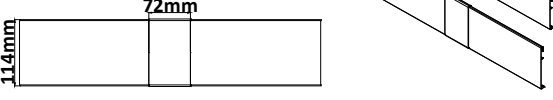


Square shape Keystone

- Keystone quantity is specified by customers.
- When keystone is chosen for valance/fascia, the valance/fascia can be split equally or at custom locations.
- When keystone is chosen for coupled shades or common top treatment, keystone at gaps between shades is available.
- The minimum distance between 2 keystones is 457mm.
- Keystones are also available for all non-spliced valance/fascia under its maximum limitations, if keystone is selected, valances/fascias will be spliced by default.

Custom Made Roller Shade Program		
Custom Made Roller Shade Santa Fe	Code	RR-001
	Edition	N
	Page	30 / 71
	Update Date	2026/01/15

Keystone Dimensions

Top Treatment	V-shape Keystone	Square Shape Keystone
Wood Modern Valance		
89mm/114mm/156mm Fabric Valance *	  	  
203mm Fabric Valance*		
Curved Fascia	 	 
Square Fascia	 	 

*Please note that the dimensions for fabric valance keystone may vary on the fabric thickness

Custom Made Roller Shade Program		
Custom Made Roller Shade Santa Fe	Code	RR-001
	Edition	N
	Page	31 / 71
	Update Date	2026/01/15

9. Fascia / Valance & Lift System Compatibility Chart

	Single			Dual/Coupled Dual / Common Top Treatment Dual Shades			Coupled Shades (2-on-1, 3-on-1, 4-on-1)		
	Clutch	Cordless	Motorized	Clutch	Cordless	Motorized	Clutch (not available for Smart-Release™)	Cordless	Motorized
No Fascia/ Valance	√	√	√	√	√	√	√	NA	√
Curved Fascia	√	√	√	NA	NA	NA	√	NA	√
Square Fascia	√	√	√	NA	NA	NA	√	NA	√
Fabric Valance	√	√	√	√ 203mm /152mm	√ 203mm /152mm	√ 203mm /152mm	√	NA	√
Wood Modern Valance	√	√	√	NA	NA	NA	√	NA	√

10. Additional Options

Bead Chain for Continuous Cord Loop & SmartRelease™ Shades:

Bead Chain Options:

- **Standard:** Plastic - Available in White (2058), Cottage White (2094), Black (2208), Nature (2579), Sahara (2578), Terra (2334), Silver (2129), Chocolate (2463), Brass (2534)
- **Upgrade:** Stainless Steel (with surcharge)

Bead Chain Length:

	Order Length (Y)	Bead Chain Length (For Continuous Cord Loop)	Bead Chain Length (For SmartRelease™)
Default	305mm ≤ Y ≤ 762mm	2/3Y+152mm	406mm
	762mm < Y ≤ 1067mm		612mm
	1067mm < Y ≤ 1372mm		917mm
	1372mm < Y ≤ 1676mm		1222mm
	1676mm < Y ≤ 2286mm		1526mm
	2286mm < Y ≤ 3660mm		2136mm
Optional	All shade heights	Plastic/Stainless Steel: Minimum custom length must be longer than the default (2/3Y+152mm); Maximum custom length is 3x the order height. **	Plastic/Stainless Steel: Minimum custom length is 305mm; Maximum custom length is 3x the order height. **

- Bead chain length is measured from the top bracket/installation bracket (raceway) to the bottom of the tension device.
- The tolerance for bead chain length of SmartRelease™ would be 0~30mm.
- For Continuous Cordloop shades, the bead chain will be made in continued chain without bead chain connector.
- **If a bead chain length over 3 times the shade height is required, please specify in Special Instructions.
- When the custom bead chain length exceeds 2136mm for SmartRelease, there will be a surcharge.
- For common valance shades, the bead chain length will be default supplied as per shade height of each shade when standard chain length is ordered, and the chain length will be default supplied as per custom chain length size for all shades when custom chain length is ordered.

Custom Made Roller Shade Program		
Custom Made Roller Shade Santa Fe	Code	RR-001
	Edition	N
	Page	32 / 71
	Update Date	2026/01/15

Hem Bar



Plain Hem Bar

- Default
- Standard colors: White, Cottage White, Bianca, Black
- Optional color(not available for fabric-wrapped hem bar):
Anodized Silver(default with end caps in 2058 White),
Brushed Black, Matte Silver, Bronze, Brass

Fabric-Wrapped Hem Bar

- Optional
- Fabric-Wrapped on front side only.
- End Caps: Available in White, Cottage White, Bianca, Nature, Terra, Sahara, Chocolate, Silver, Black

Fabric Roll

- Standard roll: Fabric rolls down against the window glass.
- Reverse roll: Fabric rolls down away from the window glass.
 - ˆ Reverse roll is default for the front shade of the dual shades.
 - ˆ Not available with curved fascia and square fascia.
 - ˆ Not available for MRS-32B motorized shade with socket at front.
 - ˆ Not available for Cassette System and Light Guard 360™ System.



Standard roll (backwards roll)

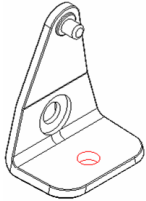


Reverse roll (forwards roll)

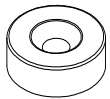
Custom Made Roller Shade Program		
Custom Made Roller Shade Santa Fe	Code	RR-001
	Edition	N
	Page	33 / 71
	Update Date	2026/01/15

Hold Downs

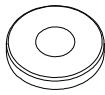
- Optional upon request; 2 hold down brackets will be provided for each shade when requested.
- Types of Hold Downs available
 - **Traditional Hold Down**



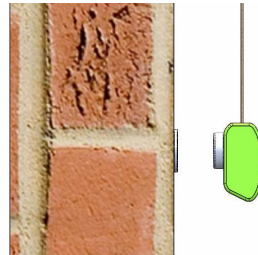
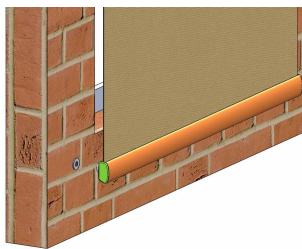
- **Magnetic Hold Down**
 - Magnetic hold down is optional for both inside and outside mount applications.
 - Not recommended for metal door applications.
 - For Roller Shade installed on door, the magnetic hold down will be supplied by default.
 - The magnet will be pre-installed at the factory on the bottom bar of the rear shade.
 - The magnet catch, which needs to be installed at the job site, can be found in the hardware box.
 - The magnet catch is default supplied in nickel plated color. Optional colors are available: Pure White, Silk White, Bisque, Pearl, Bright Brass, Antique Brass, Black, Crisp Linen, String, Sea Mist, Stone Gray, Brown Gray, Taupe Gray



Magnet



Magnet catch



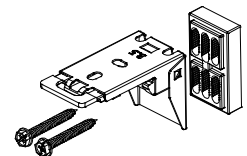
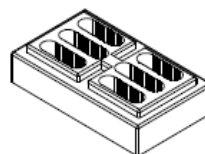
Expansion Foam

- Optional
 - Color: Black
 - Dimensions: 3/8"x3/8" (10x10mm)
 - Length: 10m / roll
- Note: Please specify the roll qty if needed.



Shim (Spacer Block)

- Optional
- Dimensions: 41mm x 10mm
- Up to 3 Spacer Blocks can be stacked per bracket
- 10mm thickness for one and 18mm thickness for two stacked.

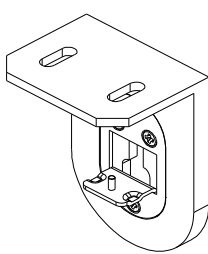


Note: For outside mount with spacer blocks ordered, if the length of the valance returns is needed to be lengthened to cover the spacers, please specify a special note in the order.

Custom Made Roller Shade Program		
Custom Made Roller Shade Santa Fe	Code	RR-001
	Edition	N
	Page	34 / 71
	Update Date	2026/01/15

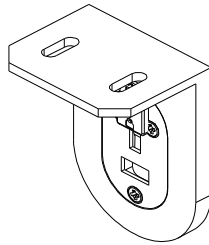
Premium Hardware

- Optional for Single shade without top treatment/raceway.
- Available Lift System: Continuous Cord Loop(Chain), Cordless, Motorized
- Available Colour Options: Matte Silver, Brushed Black, Bronze, Brass, White([Portal DescEn: White\(Premium\)](#))
- Available Clutch Size for Continuous Cord Loop(Chain): 62mm
- Available Hem Bar Option: Plain Hem Bar
- Premium hardware has a set of pre-coordinated default hardware colours, please see **Appendix 1**. Optional colour override is available.



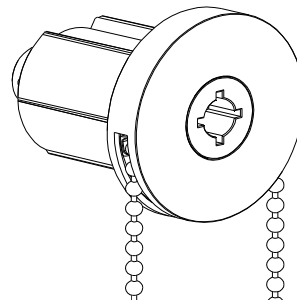
Shade Bracket-

Control Side (no end cap)



Shade Bracket-

End Plug Side (no end cap)



62mm Clutch

(For Continuous Cord loop only)

Light Guard

- Optional with surcharge
- Light Guard is specifically designed to block incoming light escaping off the top and sides of the window opening
- Consists of: side light block pieces, top light block piece
- For common valances/fascias ordered with light guard, it will be default supplied with one set light guard.
- Top Light Block Only is available for shade without side light blocks.
- If Light Guard is ordered with Cassette System, only side light blocks are available and will not include top light block.

Side/Vertical Piece

Type	Dimensions	Available Colors				
Basic	<p>Light Guard</p>	<p>6 colors: 3058 White, 3094 Cottage White, 3129 Silver, 3212 Black Ink, 3578 Sahara, 3463 Chocolate</p> <p>Note: 1. End Cap will be pre-installed on the top of light guard. 2. When light guard length (L) > 2440mm, it will be spliced to 2 parts, the rules are as follow.</p> <table border="1" style="width: 100%;"> <tr> <td style="text-align: center;">2440mm < L ≤ 2591mm</td> <td style="text-align: center;">L > 2591mm</td> </tr> <tr> <td style="text-align: center;">Top length = 152mm Bottom length = L - 152m</td> <td style="text-align: center;">Top length = L - 2440mm Bottom length = 2440mm</td> </tr> </table>	2440mm < L ≤ 2591mm	L > 2591mm	Top length = 152mm Bottom length = L - 152m	Top length = L - 2440mm Bottom length = 2440mm
	2440mm < L ≤ 2591mm		L > 2591mm			
	Top length = 152mm Bottom length = L - 152m		Top length = L - 2440mm Bottom length = 2440mm			
<p>End Cap</p>						

Custom Made Roller Shade Program		
Custom Made Roller Shade Santa Fe	Code	RR-001
	Edition	N
	Page	35 / 71
	Update Date	2026/01/15

Top/Horizontal Piece

Item	Size	Color
Top PVC Light Block Piece	114mm	Used for Single Shade Standard color: White
Top RD-Fabric Light Block piece	216mm	Used for Dual Shade White RD fabric will be provided as the light blocking piece

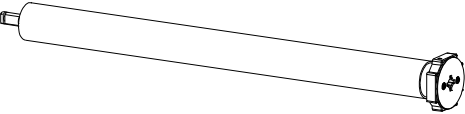



Minimum Mounting Depth Requirements for Roller Shades with Light Guard

	CCL with 1 3/4" (43mm) tube	CCL with 2" (52mm) tube	Cordless/ Motorized with 1 3/4" (43mm) tube	Cordless/ Motorized with 2" (52mm) tube
Without Raceway				
With Raceway	<p>CCL with 1 3/4" (43mm) clutch / SmartRelease™ with 2" (52mm) clutch</p>	<p>SmartRelease™ with 1 3/4" (43mm) clutch</p>	<p>Cordless/ Motorized with 1 3/4" (43mm) tube</p>	<p>Cordless/ Motorized with 2" (52mm) tube</p>

Custom Made Roller Shade Program		
Custom Made Roller Shade Santa Fe	Code	RR-001
	Edition	N
	Page	36 / 71
	Update Date	2026/01/15

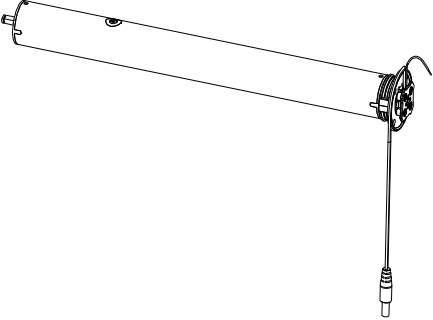
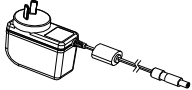


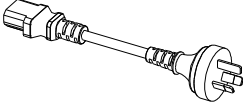


11. Motorization

11.1 AutoWand™ Motorization

Motor	Description	Drawing													
AM25 Motor	<ul style="list-style-type: none"> Motor with electrically rechargeable lithium ion batteries included as an inherent part of the motor. Charged by USB charging cable and customer's own 5V USB charger via wand handle. Available for all shade types Motor position: Left or Right Utilizes a 43mm or 52mm tube; 52mm tube will be used when the width exceeds 2440mm. 														
Power Sources	Description	Drawing													
Control Wand	<ul style="list-style-type: none"> Optional Colors: White, Cottage White, Black With USB charging port under the bottom of handle. (Running Change: Micro-USB → USB Type-C) Wand Length(including handle length): <table border="1"> <thead> <tr> <th></th> <th>Shade Height (Y)</th> <th>Wand Length</th> </tr> </thead> <tbody> <tr> <td rowspan="3">Default</td> <td>$Y \leq 600\text{mm}$</td> <td>203mm</td> </tr> <tr> <td>$600\text{mm} < Y \leq 800\text{mm}$</td> <td>406mm</td> </tr> <tr> <td>$Y > 800\text{mm}$</td> <td>610mm</td> </tr> <tr> <td>Optional</td> <td>All shade heights</td> <td>203mm/406mm/610mm/ 915mm/1220mm/1524mm /1828mm</td> </tr> </tbody> </table>		Shade Height (Y)	Wand Length	Default	$Y \leq 600\text{mm}$	203mm	$600\text{mm} < Y \leq 800\text{mm}$	406mm	$Y > 800\text{mm}$	610mm	Optional	All shade heights	203mm/406mm/610mm/ 915mm/1220mm/1524mm /1828mm	
		Shade Height (Y)	Wand Length												
	Default	$Y \leq 600\text{mm}$	203mm												
		$600\text{mm} < Y \leq 800\text{mm}$	406mm												
$Y > 800\text{mm}$		610mm													
Optional	All shade heights	203mm/406mm/610mm/ 915mm/1220mm/1524mm /1828mm													
Accessories	Description	Drawing													
Hook	<ul style="list-style-type: none"> Hook color will coordinate with wand color. Installed on wall to hang the control wand. 														
Ring	<ul style="list-style-type: none"> Ring color will coordinate with wand color. Connected the control wand and hook. Allows wand to face any direction. Included by default, but optional to use. 														
Charging kit	Description														
USB Charging Cable	<ul style="list-style-type: none"> Length: 2000mm Color: White only Use with 5V USB charger (not included). In the same order, 3 motors will be provided 1 pc USB charging Cable, when motor qty less than 3pcs, counted motor qty as 3pcs. Additional USB Cable can be requested.(max 1 pc per shade) (Running Change: Micro-USB → USB Type-C)														

Custom Made Roller Shade Program		
Custom Made Roller Shade Santa Fe	Code	RR-001
	Edition	N
	Page	37 / 71
	Update Date	2026/01/15

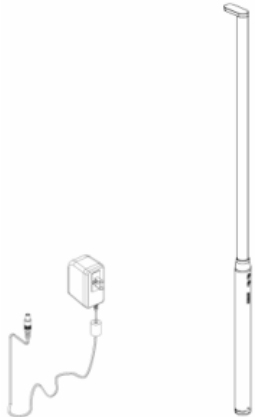

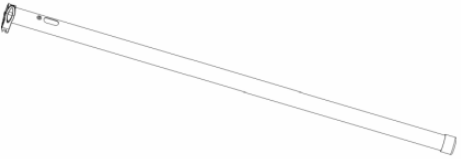
11.2 Norman Smart motorization

Motor	Description	Drawing
AC Adapter Plug-In (MRS-32A Motor)	<ul style="list-style-type: none"> No battery inside the motor. Motor is powered by 36W or 65W Adapter plug-in. Button box colors: White, Black Available for all shade types Utilizes a 43mm or 52mm tube; 52mm tube will be used when the width exceeds 2440mm. Motor location: Left or Right Max qty of channels per motor can be set: 5 	
Charging Kit	Description	Drawing
36W Adapter	<ul style="list-style-type: none"> Cable length: 1.5M Color: Black 	
36W Adapter Connector Cord	<ul style="list-style-type: none"> Color: Black Length: 100mm Used together with 36W Adapter for MRS-32A motor. 	
65W Adapter	<ul style="list-style-type: none"> Color: Black Length: 1.22M Used with 65W AC power cord for MRS-32A motor 	
65W Adapter AC Power Cord	<ul style="list-style-type: none"> Color: Black Cable length: 1.83M Used with 65W Adapter for MRS-32A motor 	
Accessories	Description	Drawing
36W Adapter Extension Cord	<ul style="list-style-type: none"> Optional Color: Black Cable length: 2M Used for 36W Adapters Max 1 pc per shade. 	
65W Adapter Extension Cord	<ul style="list-style-type: none"> Optional Color: Black Cable length: 2M Used for 65W Adapter Max 1 pc per shade. 	

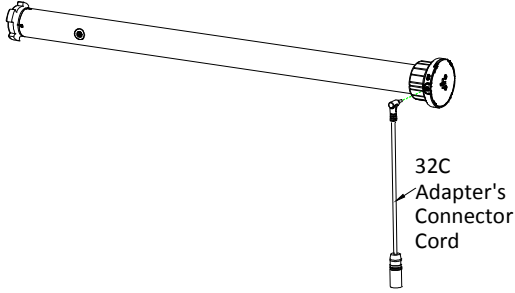
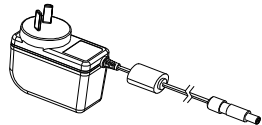
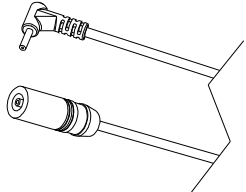

Custom Made Roller Shade Program		
Custom Made Roller Shade Santa Fe	Code	RR-001
	Edition	N
	Page	38 / 71
	Update Date	2026/01/15

Motor	Description	Drawing
Rechargeable Battery with Charging Wands (MRS-32B Motor)	<ul style="list-style-type: none"> Motor with electrically rechargeable lithium ion batteries included as an inherent part of the motor. Charged by Power Charger Charging port colors: White (2058), Cottage White (2094), Bianca(20114), Black (2208), Silver (2129), Nature (2579), Sahara (2578), Terra (2334), Chocolate (2463), Brass(2534) Utilizes a 43mm or 52mm tube; 52mm tube will be used when the width exceeds 2440mm. Motor location: Left or Right Socket position: front or side Max qty of channel per motor can be set: 5 Not available for Dual Shades, LG360 system and Cassette. For the charging port with socket at front, it is not available for the shades with 152mm/203mm fabric valance and reversed fabric roll. And the fascias/valances cannot cover the charging port. For the charging port with socket at side, it is available for all fascias / valances and reversed fabric roll. And there will be only 152mm & 203mm fabric valance can cover the charging port. 	<p style="text-align: center;">Socket at front Socket at side</p>
Rechargeable Battery with Charging Wands (MRS-32B Motor with External Charging Port)	<ul style="list-style-type: none"> Available for LG360 system only. Motor with electrically rechargeable lithium ion batteries included as an inherent part of the motor. Charged by Power Charger Charging port colors: White, Cottage White, Bianca, Black, Silver, Bronze Utilizes a 43mm or 52mm tube; 52mm tube will be used when the width exceeds 2440mm. Motor location: Left or Right Socket position: front only Max qty of channel per motor can be set: 5 	<p>External Charging Port</p>

Custom Made Roller Shade Program		
Custom Made Roller Shade Santa Fe	Code	RR-001
	Edition	N
	Page	39 / 71
	Update Date	2026/01/15





Power Sources	Description	Drawing
Wireless Charging Wand(Cordless) (Power Charger (PB-01S))	<ul style="list-style-type: none"> Optional Including a built-in rechargeable Li-ion battery. Color: Black only Power wand length: 900mm 1pc Power Charger + 1pc 36W AC adapter (used for charging wand (Power Charger)) Used for charging MRS-32B motor For the wireless charging wand, please do not use it to charge the shade while it is being charged/plugged into the outlet. 	
Wired Charging Wand (Plug-in) (Power Charger (PB-02))	<ul style="list-style-type: none"> Optional No battery inside the PB-02. Please plug the 36W AC adapter securely into wall outlet when you recharge the shade. Color: Black only Power wand length: 900mm 1pc Power Charger + 1pc 36W AC adapter (used for charging wand(Power Charger)) + 1pcs extension cable(cable length: 2M) Used for charging MRS-32B motor 	
Accessories	Description	Drawing
Extension Pole	<ul style="list-style-type: none"> Optional Length: 910mm Color: Black only Used to extend the Wired and Wireless Charging Wand. 	

Custom Made Roller Shade Program		
Custom Made Roller Shade Santa Fe	Code	RR-001
	Edition	N
	Page	40 / 71
	Update Date	2026/01/15

Motor	Description	Drawing
Rechargeable Battery with AC Adapter Charger (MRS-32C Motor)	<p>Available for all shade types.</p> <ul style="list-style-type: none"> Motor with electrically rechargeable lithium ion batteries included as an inherent part of the motor. Charged by 36W adapter and 32C's adapter connector cord (cable length: 150mm). 36W adapter extension cord is optional. Utilizes a 43mm or 52mm tube; 52mm tube will be used when the width exceeds 2440mm. Motor location: Left or Right Max qty of channel per motor can be set: 5 	
Charging Kit	Description	Drawing
36W Adapter	<ul style="list-style-type: none"> Cable length: 1.5M Color: Black Available for all motors In the same order, 3 motors will be provided 1 pc adapter, when motor qty less than 3pcs, counted motor qty as 3pcs. 	
36W Adapter Connector Cord	<ul style="list-style-type: none"> Color: Black Length: 100mm Used together with 36W Adapter for 32C motor. For Dual Shades, Light Guard 360 System and Cassette System: 1 pc connector cord will be provided for each motor. For other shade types and applications: In the same order, 3 motors will be provided 1 pc connector cord, when motor qty less than 3pcs, counted motor qty as 3pcs. 	
<p>Notes: Additional Charging kit can be requested. 1 set charging kit includes: 1 pc 36W Adapter and 1 pc 36W Adapter Connector Cord. Max 1 set additional charging kit per shade.</p>		
Accessories	Description	Drawing
36W Adapter Extension Cord	<ul style="list-style-type: none"> Optional Color: Black Cable length: 2M Used for all 36W Adapters Max 1 pc per shade. 	

Custom Made Roller Shade Program		
Custom Made Roller Shade Santa Fe	Code	RR-001
	Edition	N
	Page	41 / 71
	Update Date	2026/01/15

Accessories for all Norman Smart Motors

Control	Description	Drawing
Standard 5 Channel Remote (RC-A01) & Remote Holder	<ul style="list-style-type: none"> Optional Color: Black only RF technology operates shade up to 20meters in the open space and 10 meters in the indoor visual line. Total 5 channels available. Each channel can be paired with one or multiple shades. Max recommended qty of channel per shade: 5 Program at the factory before shipping. Pre-installed with batteries (CR2032 x2pcs) Compatible with the above motors. Default "All" button controls all shades at same time. It is recommended to pair same lift type of shades in same group to ensure the best use experience. When order selects remote, the remote holder will be supplied together with remote by default. 	
SmartDial™ 5 Channel Remote	<ul style="list-style-type: none"> Optional Radio Frequency Color: Black only Pre-installed with batteries (CR2032 x2pcs) Total 5 channels available. Each channel can be paired with one or multiple shades. Program at the factory before shipping. 	
ShadeAuto Hub	<ul style="list-style-type: none"> Optional Color: Black Max Accounts per Hub:10 Standard included: 1pc adapter + 1 USB cable Connect via Wi-Fi router or Ethernet Need to work with ShadeAuto App. It is recommended one Hub be installed on each floor/level. 	
Repeater	<ul style="list-style-type: none"> Optional Color: black Perfect for multi-story homes or buildings Easy plug & play operation (no pairing needed) Bi-directional (receives motors' feedback) Standard included: 1pc adapter It is recommended to deploy each room with a repeater; If the distance is more than 32.8'(10 meters), add one more repeater. 	

Note: The order can be ordered with "no remote" for whole order and use the existing remote.

Custom Made Roller Shade Program		
Custom Made Roller Shade Santa Fe	Code	RR-001
	Edition	N
	Page	42 / 71
	Update Date	2026/01/15

12. Mounting Depth Illustrations

12.1: Minimum Depth Requirement for Inside Mount:

Mounting Depth Shades without Raceway/ Top Treatments:

No top treatment CCL with 43mm/62mm Clutch	No top treatment Cordless / Motorized with 43mm Tube	No top treatment Cordless / Motorized with 52mm Tube

Mounting Depth Shades with Raceway:

Raceway CCL With 43mm Clutch	Raceway Cordless / Motorized with 43mm Tube	Raceway Cordless / Motorized with 52mm Tube	Raceway SmartRelease™ with 43mm Clutch	Raceway SmartRelease™ with 52mm Clutch

Custom Made Roller Shade Program		
Custom Made Roller Shade Santa Fe	Code	RR-001
	Edition	N
	Page	43 / 71
	Update Date	2026/01/15

Mounting Depth Shades with Fascia:

89mm Fascia CCL with 43mm Clutch	89mm Fascia Motorized	89mm Fascia Cordless	89mm Fascia SmartRelease™ with 43mm Clutch	
114mm Fascia CCL with 43mm Clutch	114mm Fascia Cordless/ Motorized with 43mm Tube	114mm Fascia Cordless/ Motorized with 52mm Tube	114mm Fascia SmartRelease™ with 43mm Clutch	114mm Fascia SmartRelease™ with 52mm Clutch

Custom Made Roller Shade Program		
Custom Made Roller Shade Santa Fe	Code	RR-001
	Edition	N
	Page	44 / 71
	Update Date	2026/01/15

Mounting Depth Shades with Valance:

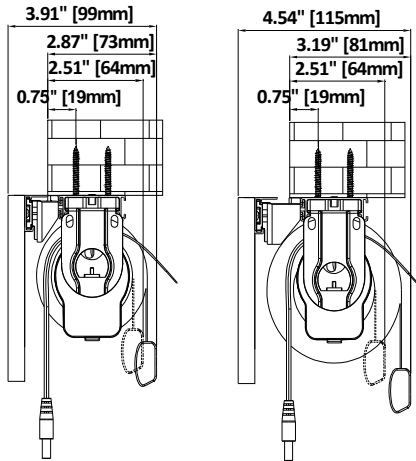
Fabric Valance CCL with 43mm Clutch Smaller valance bracket / Large valance bracket	Fabric Valance Cordless/Motorized Smaller valance bracket / Large valance bracket
Fabric Valance SmartRelease™ with 43mm Clutch Smaller valance bracket / Large valance bracket	Fabric Valance SmartRelease™ with 52mm Clutch
<p>For 203mm fabric valance, the max mounting depth size is 5mm more than other fabric valances listed above.</p>	
Wood Modern Valance CCL with 43mm Clutch Small Diameter / Large Diameter	Wood Modern Valance Cordless/Motorized with 43mm Tube Small Diameter / Large Diameter

Custom Made Roller Shade Program

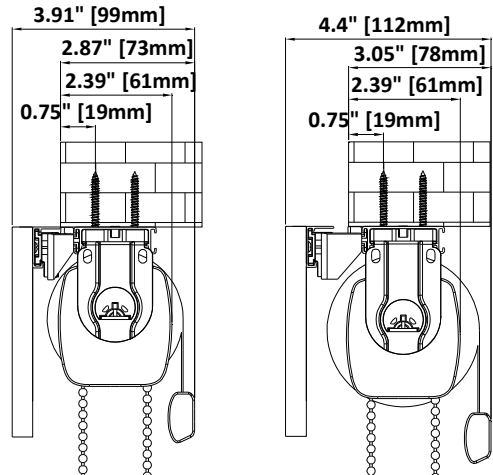
Custom Made Roller Shade Santa Fe

Code	RR-001
Edition	N
Page	45 / 71
Update Date	2026/01/15

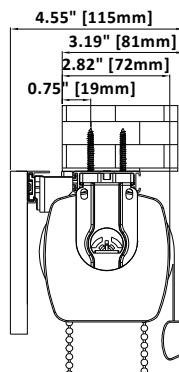
Wood Modern Valance Cordless/Motorized with 52mm Tube Small Diameter / Large Diameter



Wood Modern Valance SmartRelease™ with 43mm Clutch Smaller valance bracket / Large valance bracket



Wood Modern Valance SmartRelease™ with 52mm Clutch



Custom Made Roller Shade Program		
Custom Made Roller Shade Santa Fe	Code	RR-001
	Edition	N
	Page	46 / 71
	Update Date	2026/01/15

Mounting Depth Dual Shades:

Dual Roller with/without Raceway CCL for 139mm Bracket	Dual Roller with Raceway SmartRelease™ for 139mm Bracket	Dual Roller with/without Raceway Cordless/Motorized for 139mm Bracket	Dual Roller with 203mm Fabric Valance for All Lift Systems for 139mm Bracket	
Dual Roller with/without Raceway CCL for 164mm Bracket	Dual Roller with Raceway SmartRelease™ with 43mm Clutch for 164mm Bracket	Dual Roller with Raceway SmartRelease™ with 52mm Clutch for 164mm Bracket	Dual Roller with/without Raceway Cordless/Motorized for 164mm Bracket	Dual Roller with 203mm Fabric Valance for All Lift Systems for 164mm Bracket

Note: For 152mm fabric valance, the max mounting depth size is 5mm less than 203mm fabric valances listed above.

Custom Made Roller Shade Program

Custom Made Roller Shade Santa Fe

Code	RR-001
Edition	I
Page	41 / 67
Effective Date	2024/11/15

Mounting Depth Dual Shade Slim:

Dual Roller CCL with 29mm Clutch	Dual Roller CCL with 43mm Clutch	Dual Roller Motorised with 43mm Tube
Dual Roller Cordless	Dual Roller SmartRelease™ with 43mm Clutch	Dual Roller with Valance CCL with 29mm Clutch

Custom Made Roller Shade Program

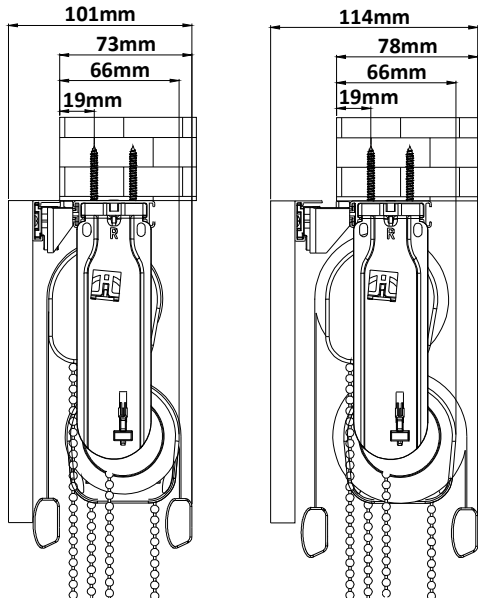
Custom Made Roller Shade Santa Fe

Code	RR-001
Edition	I
Page	42 / 67
Effective Date	2024/11/15

Dual Shade with Valance

CCL with 43mm Clutch

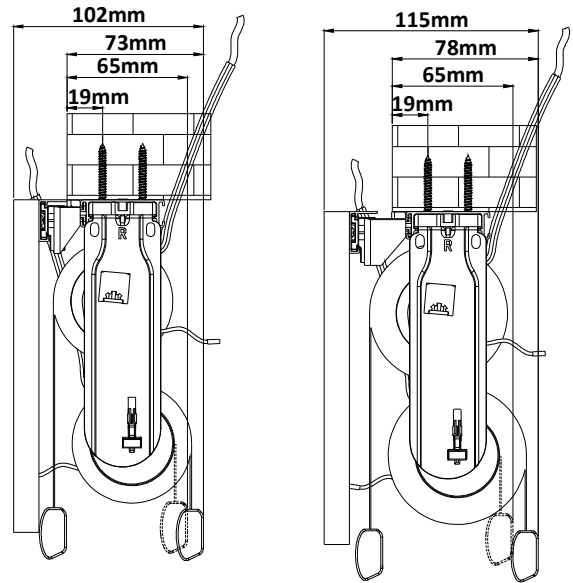
Small Valance Bracket / Large Valance Bracket



Dual Shade with Valance

Motorised with 43mm Tube

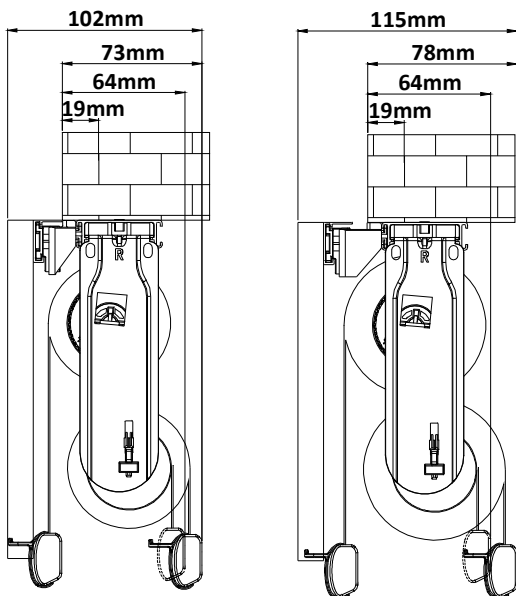
Small Valance Bracket / Large Valance Bracket



Dual Shade with Valance

Cordless

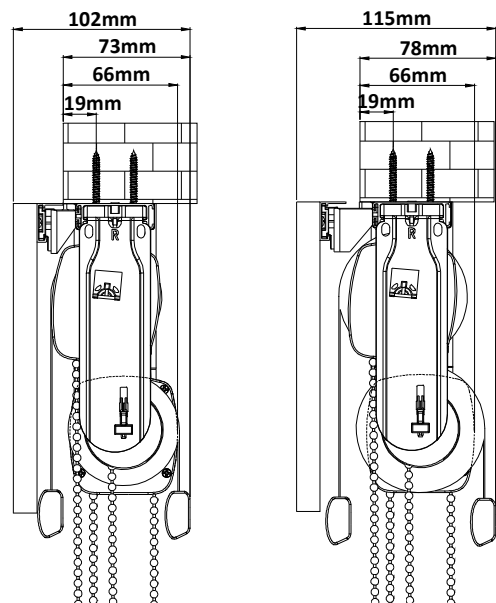
Small Valance Bracket / Large Valance Bracket



Dual Shade with Valance

SmartRelease™ with 43mm Clutch

Small Valance Bracket / Large Valance Bracket



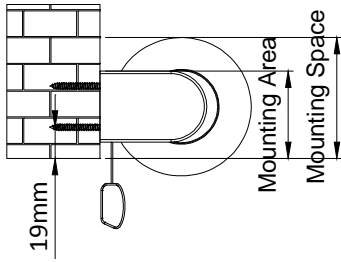
Custom Made Roller Shade Program		
Custom Made Roller Shade Santa Fe	Code	RR-001
	Edition	N
	Page	47 / 71
	Update Date	2026/01/15

12.2: Minimum Space Requirement for Outside Mount:

For Non-Dual Shades:

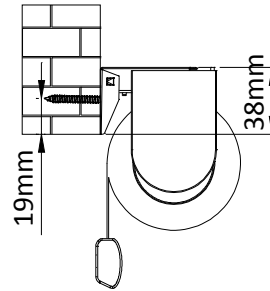
Without Top Treatment/Raceway:

Mounting area height: 53mm
 Mounting space:
 Shade with 43mm / 52mm tube--mounting space height: 67mm



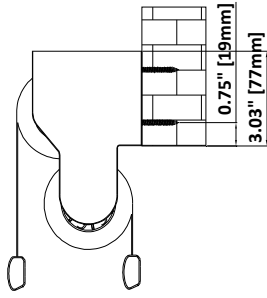
With Top Treatment/Raceway:

Minimum mounting space height: 38mm

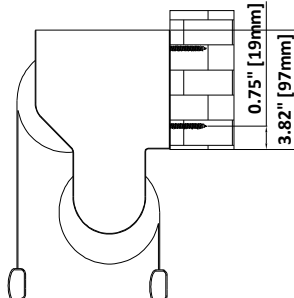


For Dual Shades without/with raceway:

Shade with 139mm bracket--minimum mounting space height: 77mm
 Shade with 164mm bracket--minimum mounting space height: 97mm



139mm Bracket



164mm Bracket

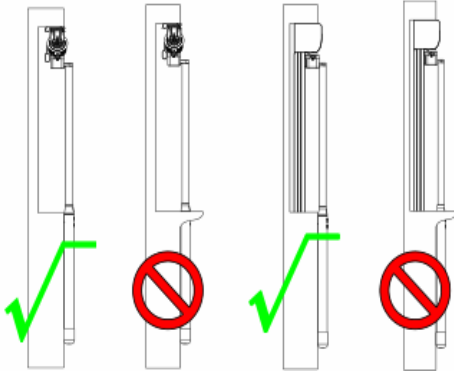
12.3 Minimum shade height requirement for rechargeable battery with charging wands:

For roller shade ordered with rechargeable battery with charging wands (MRS-32B Motor), there is a minimum shade height required for shades installed within bottom front edge of the window / windowsills / obstacles.

System		Min shade height	
		Wireless Charging Wand	Wired Charging Wand
Roller without Top Treatment / with Raceway	Small (48.2mm) Shade Bracket	1004 mm	1039mm
	Medium (54.7mm/68mm) Shade Bracket	1011 mm	1046 mm
	Large (61.7mm/73mm) Shade Bracket	1025 mm	1060 mm
Roller with Fascias/Valances	89mm Fascia/Valance	1022 mm	1057 mm
	114mm Fascia/Valance & 152mm/203mm Valance	1036 mm	1071 mm
LightGuard 360™	89mm Housing	1031 mm	1066 mm
	114mm Housing	1053 mm	1088 mm

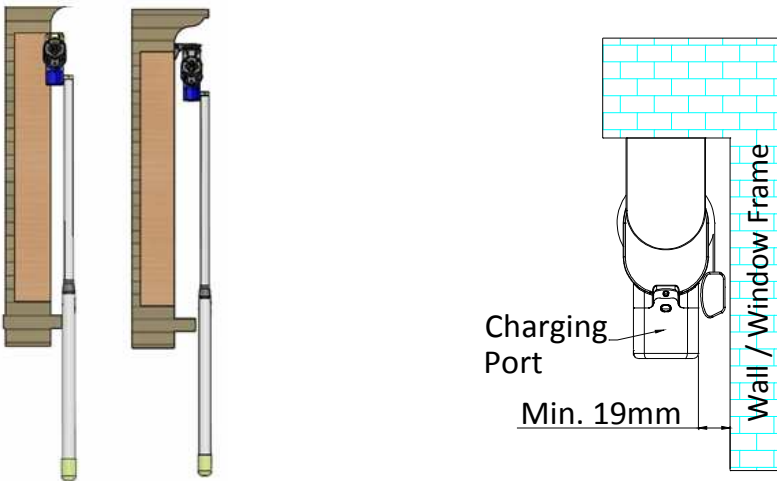
Note: If extension pole is ordered, it needs to add 856mm to above Min height size.

Custom Made Roller Shade Program		
Custom Made Roller Shade Santa Fe	Code	RR-001
	Edition	N
	Page	48 / 71
	Update Date	2026/01/15



For outside mount, if the shade with charging port socket at front installed within front edge of the bottom windowsills / obstacles and height size is less than the above min height size, the max protruded size of the bottom windowsills / obstacles is as below:

System		Max Protruded Size
Roller without Top Treatment	Small (48.2mm) Shade Bracket	54mm
	Medium (54.7mm/68mm) Shade Bracket	60mm
	Large (61.7mm/73mm) Shade Bracket	67mm
Roller with Raceway	89mm Mounting Bracket	60mm
	114mm Mounting Bracket	67mm
LightGuard 360™		76mm



It needs to leave at least 19mm of space behind the charging port for the hem bar.

13. Color Coordination

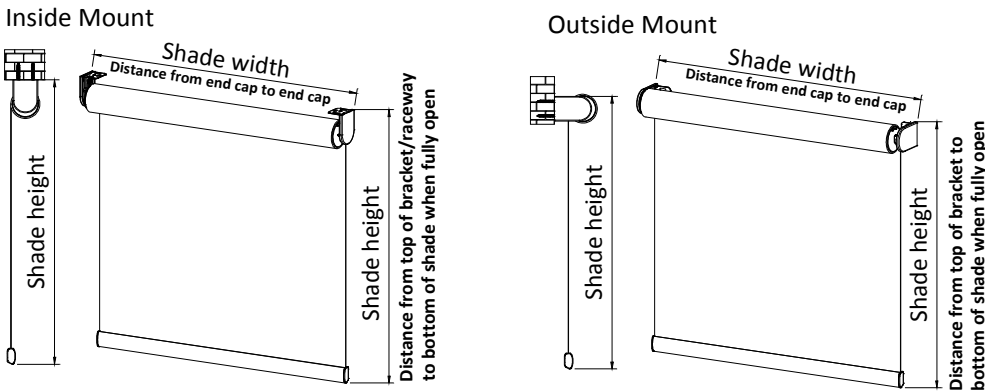
[Reference to Appendix 1-Santa Fe Roller Shade Fabric Color List and Color Coordination Chart](#)

Custom Made Roller Shade Program		
Custom Made Roller Shade Santa Fe	Code	RR-001
	Edition	N
	Page	49 / 71
	Update Date	2026/01/15

14. Shade Size Definition / Size Deductions

Shade Width: Distance from end cap to end cap. When premium hardware is selected, the shade width is measured from bracket to bracket.

Shade Height: Distance from top of raceway/mounting brackets to bottom of shade when fully open.



Deductions

Single Shade/Dual Shade	
Inside Mount (IM)	Outside Mount (OM)
Shade Width=Order Width-3.2mm Shade Height=Order Height	Shade Width=Order Width Shade Height=Order Height

Coupled Shades(2-on-1, 3-on-1, 4-on-1)/Coupled Dual Shades/LG360 Single Shades With 360 T-post	
Inside Mount (IM)	Outside Mount (OM)
<p>Coupled 2-on-1/Coupled Dual Shades/LG360 2 Single Shades with 360 T-Post Split Equally: Left/Right Shade Width=(Total Order Width-3.2mm)÷2 Custom: Left Shade Width=Left shade Order Width-1.6mm Right Shade Width=Right Shade Order Width-1.6mm</p> <p>Coupled 3-on-1/LG360 3 Single Shades with 360 T-Post Split Equally: Left/Center/Right Shade Width=(Total Order Width-3.2mm)÷3 Custom: Left Shade Width=Left shade Order Width-1.6mm Center Shade Width=Center Shade Order Width Right Shade Width=Right Shade Order Width-1.6mm</p> <p>Coupled 4-on-1/LG360 4 Single Shades with 360 T-Post Split Equally: Left/Center Left/Center Right/Right Shade Width=(Total Order Width-3.2mm)÷4</p>	<p>Coupled 2-on-1/Coupled Dual Shades/LG360 2 Single Shades with 360 T-Post Split Equally: Left/Right Shade Width=Total Order Width÷2 Custom: Left Shade Width=Left Shade Order Width Right Shade Width=Right Shade Order Width</p> <p>Coupled 3-on-1/LG360 3 Single Shades with 360 T-Post Split Equally: Left/Center/Right Shade Width=Total Order Width÷3 Custom: Left Shade Width=Left shade Order Width Center Shade Width=Center Shade Order Width Right Shade Width=Right Shade Order Width</p> <p>Coupled 4-on-1/LG360 4 Single Shades with 360 T-Post Split Equally: Left/Center Left/Center Right/Right Shade Width=Total Order Width÷4</p>

Custom Made Roller Shade Program		
Custom Made Roller Shade Santa Fe	Code	RR-001
	Edition	N
	Page	50 / 71
	Update Date	2026/01/15

Coupled Shades(2-on-1, 3-on-1, 4-on-1)/Coupled Dual Shades/LG360 Single Shades With 360 T-post	
Inside Mount (IM)	Outside Mount (OM)
Custom: Left Shade Width=Left shade Order Width-1.6mm Center Left Shade Width=Center Left Shade Order Width Center Right Shade Width=Center Right Shade Order Width Right Shade Width=Right Shade Order Width-1.6mm Shade Height(all)=Order Height	Custom: Left Shade Width=Left shade Order Width Center Left Shade Width=Center Left Shade Order Width Center Right Shade Width=Center Right Shade Order Width Right Shade Width=Right Shade Order Width Shade Height(all)=Order Height

Common Top Treatment/Common Top Treatment Dual Shades	
Inside Mount (IM)	Outside Mount (OM)
Left Shade Width=Left shade Order Width-3.2mm Center Shade(s) Width=Center shade(s) Order Width-3.2mm Right Shade Width=Right Shade Order Width-3.2mm Shade Height(all)=Order Height	Left Shade Width=Left shade Order Width Center Shade(s) Width=Center shade(s) Order Width Right Shade Width=Right Shade Order Width Shade Height(all)=Order Height

Note:

- For outside mount, to minimize light leakage, the shade should be overlapping the window opening at least 50mm on left & right & bottom sides and plus top "minimum mounting space height" listed under "Minimum Space Requirement for Outside Mount".
- For OM LG360, add 108mm to the overall width, and for the height, add 35mm to the bottom and 92mm or 115mm to the top, depending on the housing size. If there is window sill at bottom, the height is no need to add any size to the bottom.
- For OM with cassette, the shade should be overlapping the window opening at least 51mm on left & right & bottom sides, and add 92mm or 115mm to the top depending on the housing/cassette size.
- For Roller Shade installed on doors, additional 2mm deduction from each side will apply on the fabric width to min fraying issues. Please select "Door" when you place the order.

Shade Size Tolerance		
Lift System	Width	Height
Continuous Cord Loop	±2mm	0~+6mm
Cordless		+152mm~229mm
SmartRelease™		Inside Mount: 0~ -6mm
Motorized		Outside Mount: 0~ +6mm

Custom Made Roller Shade Program		
Custom Made Roller Shade Santa Fe	Code	RR-001
	Edition	N
	Page	51 / 71
	Update Date	2026/01/15

Tube/Fabric Width Deduction

Single Continuous Cord Loop(CCL) - Inside Mount					
Shade Width	Shade Length	Clutch Size	Tube Dimensions	Shade Type	Tube/Fabric Width
203mm to 2440mm	305mm to 3660mm	43mm/ 62mm(only for shade without raceway)	43mm	CCL without top treatment / CCL with raceway	Tube Width=Order Width - 32.5mm
					Fabric Width=Tube Width - 1mm
				CCL with fascia	Tube Width=Order Width - 35.5mm
					Fabric Width=Tube Width - 1mm
				CCL with valance	Tube Width=Order Width - 30.5mm
					Fabric Width=Tube Width - 1mm
203mm to 3000mm	305mm to 3660mm	43mm/ 62mm(only for shade without raceway)	52mm	CCL without top treatment / CCL with raceway	Tube Width=Order Width - 33.5mm
					Fabric Width=Tube Width - 1mm
				CCL with fascia	Tube Width=Order Width - 36.5mm
					Fabric Width=Tube Width - 1mm
				CCL with valance	Tube Width=Order Width - 31.5mm
					Fabric Width=Tube Width - 1mm

Note: For outside mount, the fabric width deduction is 3.2mm less than inside mount deduction.

Single SmartRelease™ - Inside Mount			
Shade Width	Shade Length	Shade Type	Tube/Fabric width
305mm to 3000	305mm to 3660mm	SmartRelease™ with raceway	Tube Width=Order Width - 36mm
			Fabric Width=Tube Width - 1mm
		SmartRelease™ with fascia	Tube Width=Order Width - 39mm
			Fabric Width=Tube Width - 1mm
		SmartRelease™ with valance	Tube Width=Order Width - 34mm
			Fabric Width=Tube Width - 1mm

Note: For outside mount, the fabric width deduction is 3.2mm less than inside mount deduction.

Single PrecisionLift™ Cordless - Inside Mount				
Shade Width	Shade Length	Tube Dimensions	Shade Type	Tube/Fabric Width
242mm to 3000mm	305mm to 3660mm	43mm, 52mm	Cordless without top treatment	Tube Width=Order Width - 27mm
				Fabric Width=Tube Width - 1mm
			Cordless with Fascia	Tube Width=Order Width - 30mm
				Fabric Width=Tube Width - 1mm
			Cordless with Valance	Tube Width=Order Width - 25mm
				Fabric Width=Tube Width - 1mm

Note: For outside mount, the fabric width deduction is 3.2mm less than inside mount deduction.

Custom Made Roller Shade Program		
Custom Made Roller Shade Santa Fe	Code	RR-001
	Edition	N
	Page	52 / 71
	Update Date	2026/01/15

Single Motorized - Inside Mount					
Motor Type	Shade Width	Shade Length	Tube Dimensions	Shade Type	Tube/Fabric Width
MRS-32A	407mm to 3000mm	305mm to 3660mm	43mm & 52mm	Motorized without top treatment / Motorized with raceway	Tube Width=Order Width- 31.5mm Fabric Width=Tube Width - 1mm
MRS-32B	610mm to 3000mm			Motorized with Fascia	Tube Width=Order Width- 34.5mm Fabric Width=Tube Width - 1mm
AM25	559mm to 3000mm			Motorized with Valance	Tube Width=Order Width- 29.5mm Fabric Width=Tube Width - 1mm
MRS-32C	610mm to 3000mm	305mm to 3660mm	43mm & 52mm	Motorized without top treatment / Motorized with raceway	Tube Width=Order Width- 33mm Fabric Width=Tube Width - 1mm
				Motorized with Fascia	Tube Width=Order Width- 36mm Fabric Width=Tube Width - 1mm
				Motorized with Valance	Tube Width=Order Width- 31mm Fabric Width=Tube Width - 1mm

Note: For outside mount, the fabric width deduction is 3.2mm less than inside mount deduction.

Inside Mount		
Top Treatment	Finished Width	
Fascia Width	including end caps	Fascia width = shade width* Common fascia width = left/center/right total shade order width+ gaps between shades - 3.2mm
	excluding end caps	Fascia width = shade width* - 3mm Common fascia width = left/center/right total shade order width+ gaps between shades - 6.2mm
Wood/ Fabric Valance Width	excluding valance returns	Valance width = shade width*
		Common valance width= left/center/right total shade order width+ gaps between shades - 3.2mm

* Shade width=Order Width-3.2mm

Semi-Inside Mount		
Top Treatment	Finished Width	
Fascia Width	including end caps	Fascia width = shade width* Common fascia width = left/center/right total shade order width+ gaps between shades - 3.2mm
	excluding end caps	Fascia width = shade width* -3mm Common fascia width = left/center/right total shade order width+ gaps between shades - 6.2mm
Wood/ Fabric Valance Width	including valance returns	Valance inner width = shade width* + 4.8mm x return qty
		Common valance inner width= left/center/right total shade order width+ gaps between shades - 3.2mm + 4.8mm x return qty
		For 203mm Fabric Valance: Valance width = Valance inner width + 13.5mm x return qty
		For 89mm/114mm/156mm Fabric Valance: Valance width = Valance inner width +7mm x return qty
		For Wood Modern Valance: Valance width = valance inner width + 11.2mm x return qty

* Shade width=Order Width-3.2mm

Custom Made Roller Shade Program		
<p align="center">Custom Made Roller Shade Santa Fe</p>	Code	RR-001
	Edition	N
	Page	53 / 71
	Update Date	2026/01/15

Outside Mount		
Top Treatment	Finished Width	
Fascia Width	including end caps	Fascia width = shade width* Common fascia width = left/center/right total shade order width+ gaps between shades
	excluding end caps	Fascia width = shade width* – 3mm Common fascia width = left/center/right total shade order width+ gaps between shades – 3mm
Wood/ Fabric Valance Width	including valance returns	Valance inner width = shade width* + 4.8mm x return qty Common valance inner width= left/center/right total shade order width+ gaps between shades + 4.8mm x return qty For 203mm Fabric Valance only: Valance width = Valance inner width + 13.5mm x return qty
		For 89mm/114mm/156mm Fabric Valance: Valance width = Valance inner width +7mm x return qty
		For Wood Modern Valance: Valance width = valance inner width + 11.2mm x return qty
	excluding valance returns	Valance width = shade width* = order width Common valance width= left/center/right total shade order width+ gaps between shades

* Shade Width=Order Width

Note:

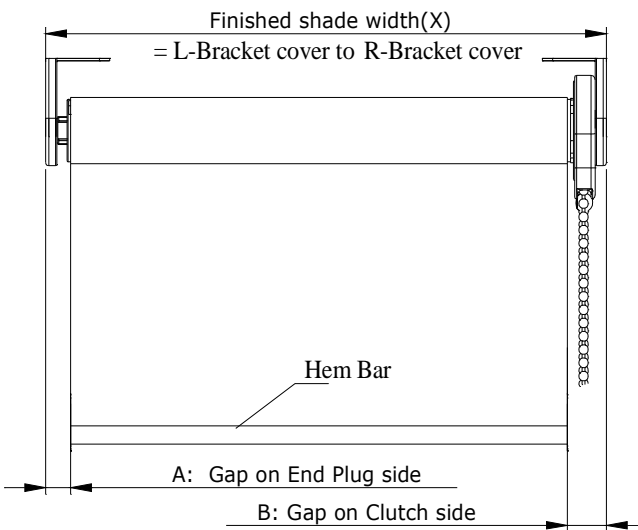
When requesting custom width valance, please specify based on **inner** width.

When requesting custom width fascia, please specify fascia end cap to end cap width.

The max specified width can be X+305mm (The max width that can be exceed the left / right side is 152.4mm)

15.Fabric Width Illustrations

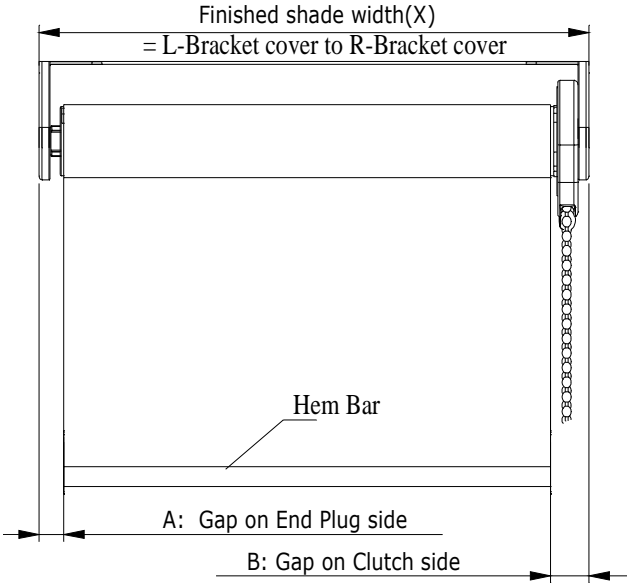
Continuous Cord Loop system



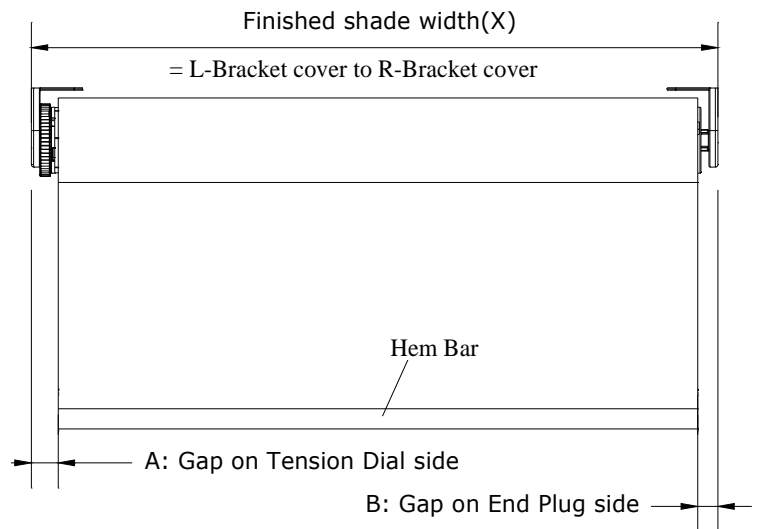
Shade Type	Chain Clutch	Tube diameter	Gap A	Gap B
Continuous Cord Loop without top treatment / with Raceway	43mm/	43mm	12.5mm	18mm
	62mm	52mm	12.5mm	19mm
Continuous Cord Loop with Fascia	43mm	43mm	14mm	19.5mm
		52mm	14mm	20.5mm
Continuous Cord Loop with Valance	43mm	43mm	11.5mm	17mm
		52mm	11.5mm	18mm

Custom Made Roller Shade Program		
Custom Made Roller Shade Santa Fe	Code	RR-001
	Edition	N
	Page	54 / 71
	Update Date	2026/01/15

SmartRelease™ system



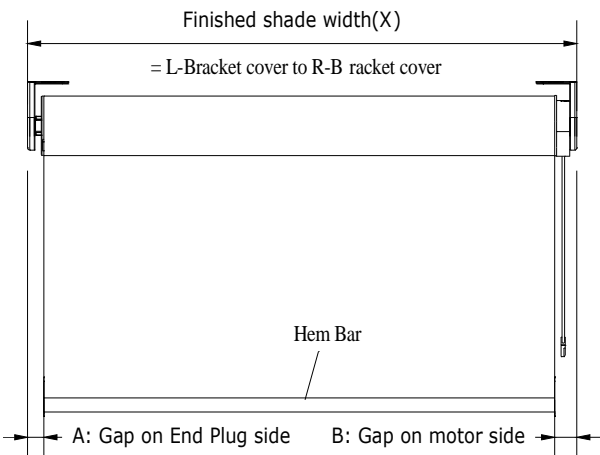
PrecisionLift™ Cordless system



Shade Type	Chain Clutch	Tube Diameter	Gap A	Gap B
SmartRelease™ with Raceway	43mm	43mm	12.5mm	21.5mm
	52mm	52mm	12.5mm	21.5mm
SmartRelease™ with Fascia	43mm	43mm	14mm	23mm
	52mm	52mm	14mm	23mm
SmartRelease™ with Valance	43mm	43mm	11.5mm	20.5mm
	52mm	52mm	11.5mm	20.5mm

Shade type	Gap A	Gap B
Cordless roller shade without top treatment	12.5mm	12.5mm
Cordless roller shade with Raceway	12.5mm	12.5mm
Cordless roller shade with Fascia	14mm	14mm
Cordless roller shade with Valance	11.5mm	11.5mm

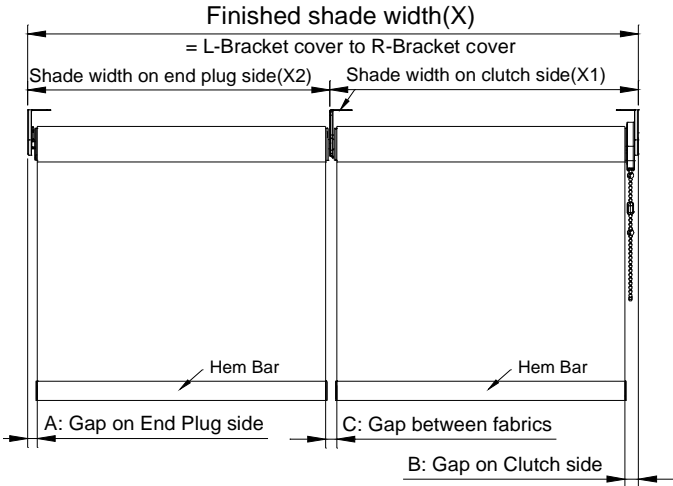
Motorized



Shade Type	Motor type	Tube diameter	Gap A	Gap B
Motorized roller shade without top treatment	32A/32B/AM25	43mm / 52mm	12.5mm	17mm
	32C	52mm	12.5mm	18.5mm
Motorized roller shade with Raceway	32A/32B/AM25	43mm / 52mm	12.5mm	17mm
	32C	52mm	12.5mm	18.5mm
Motorized roller shade with Fascia	32A/32B/AM25	43mm / 52mm	14mm	18.5mm
	32C	52mm	14mm	20mm
Motorized roller shade with Valance	32A/32B/AM25	43mm / 52mm	11.5mm	16mm
	32C	52mm	11.5mm	17.5mm

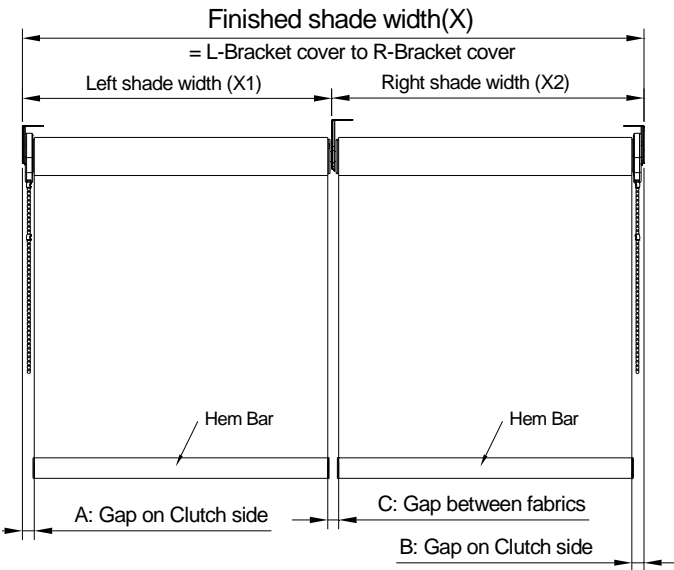
Custom Made Roller Shade Program		
Custom Made Roller Shade Santa Fe	Code	RR-001
	Edition	N
	Page	55 / 71
	Update Date	2026/01/15

Coupled 2-on-1 in Continuous Cord Loop- Dependently Operated



Shade Type	Tube diameter	Gap A	Gap B	Gap C
Continuous Cord Loop without top treatment	43mm	12.5mm	18mm	18.5mm
	52mm	12.5mm	19mm	
Continuous Cord Loop with Raceway	43mm	12.5mm	18mm	
	52mm	12.5mm	19mm	
Continuous Cord Loop with Fascia	43mm	14mm	19.5mm	
	52mm	14mm	20.5mm	
Continuous Cord Loop with Valance	43mm	11.5mm	17mm	
	52mm	11.5mm	18mm	

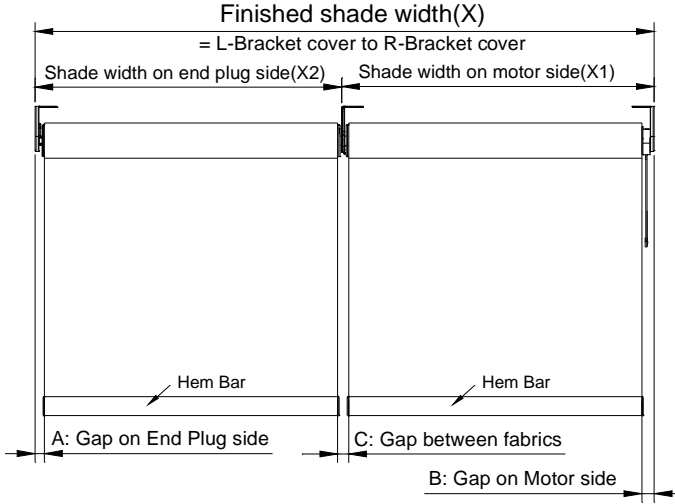
Coupled 2-on-1 in Continuous Cord Loop- Independently Operated



Valance Type	Tube diameter	Gap A/B	Gap C
CCL without top treatment / CCL with Raceway	43mm	18mm	18.5mm
	52mm	19mm	
CCL with Fascia	43mm	19.5mm	
	52mm	20.5mm	
CCL with Valance	43mm	17mm	
	52mm	18mm	

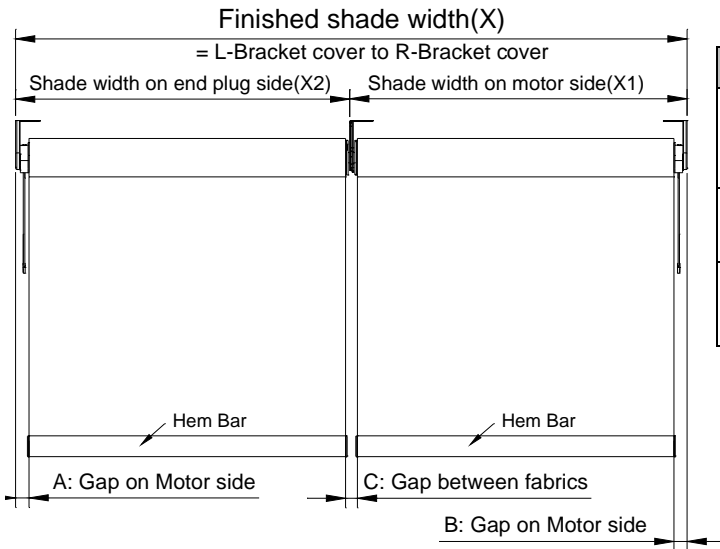
Custom Made Roller Shade Program		
Custom Made Roller Shade Santa Fe	Code	RR-001
	Edition	N
	Page	56 / 71
	Update Date	2026/01/15

Coupled 2-on-1 in Motorized- Dependently Operated



Shade Type	Motor type	Gap A	Gap B	Gap C
Motorized roller shade without top treatment / with raceway	32A/32B/AM25	12.5mm	17mm	18.5mm
	32C	12.5mm	18.5mm	
Motorized roller shade with Fascia	32A/32B/AM25	14mm	18.5mm	
	32C	14mm	20mm	
Motorized roller shade with Valance	32A/32B/AM25	11.5mm	16mm	
	32C	11.5mm	17.5mm	

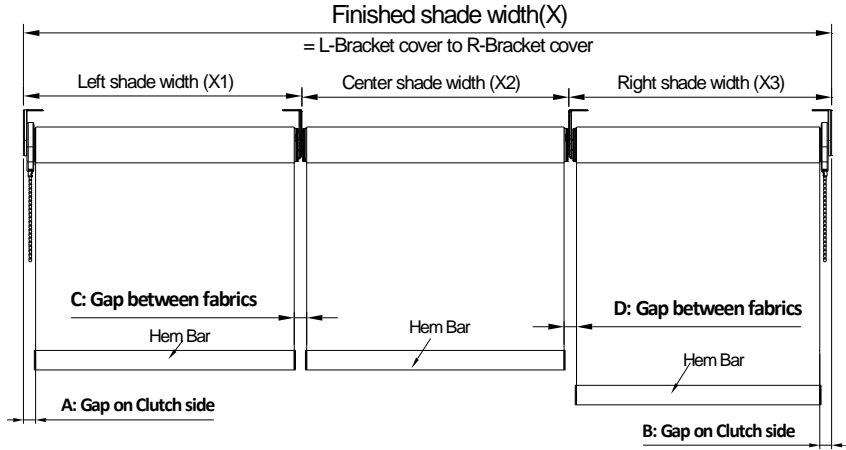
Coupled 2-on-1 in Motorized- Independently Operated



Valance Type	Motor type	Gap A/B	Gap C
Motorized roller shade without top treatment / with raceway	32A/32B /AM25	17mm	18.5mm
	32C	18.5mm	
Motorized roller shade with Fascia	32A/32B /AM25	18.5mm	
	32C	20mm	
Motorized roller shade with Valance	32A/32B /AM25	16mm	
	32C	17.5mm	

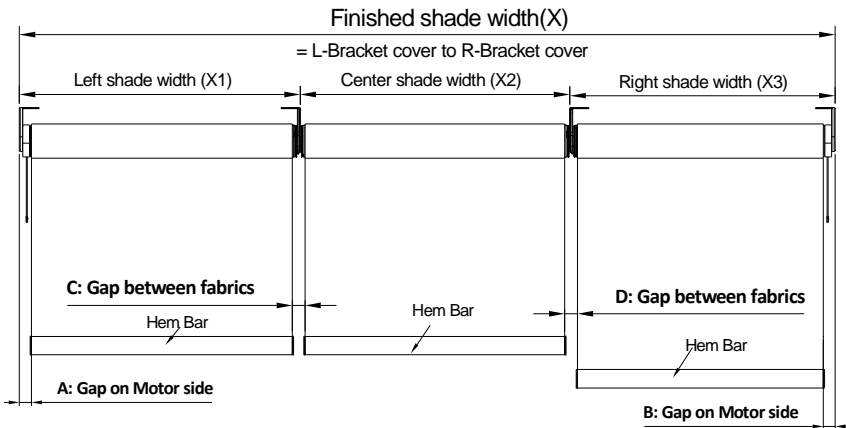
Custom Made Roller Shade Program		
Custom Made Roller Shade Santa Fe	Code	RR-001
	Edition	N
	Page	57 / 71
	Update Date	2026/01/15

Coupled 3 on 1 in Continuous Cord Loop



Valance Type	Tube diameter	Gap A/B	Gap C/D
CCL without top treatment / CCL with Raceway	43mm	18mm	18.5mm
	52mm	19mm	
CCL with Fascia	43mm	19.5mm	
	52mm	20.5mm	
CCL with Valance	43mm	17mm	
	52mm	18mm	

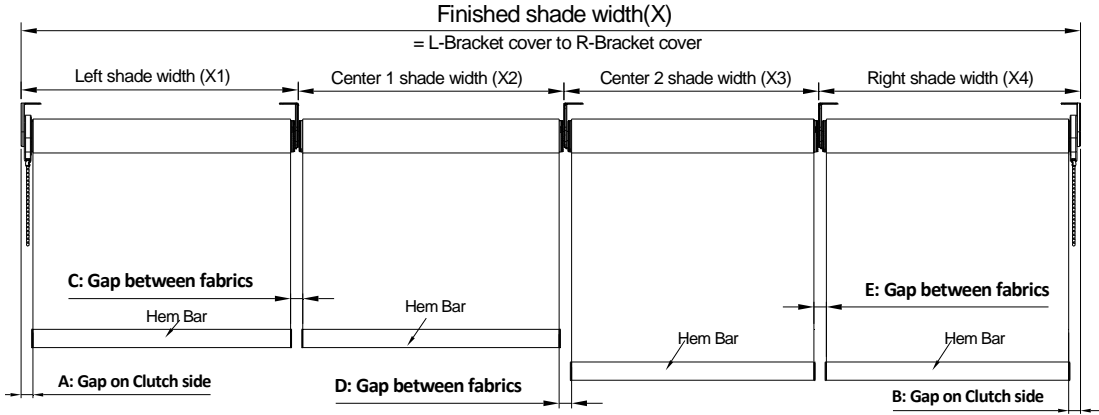
Coupled 3 on 1 in Motorized



Valance Type	Motor type	Gap A/B	Gap C/D
Motorized roller shade without top treatment / with raceway	32A/32B/AM25	17mm	18.5mm
	32C	18.5mm	
Motorized roller shade with Fascia	32A/32B/AM25/	18.5mm	
	32C	20mm	
Motorized roller shade with Valance	32A/32B/AM25	16mm	
	32C	17.5mm	

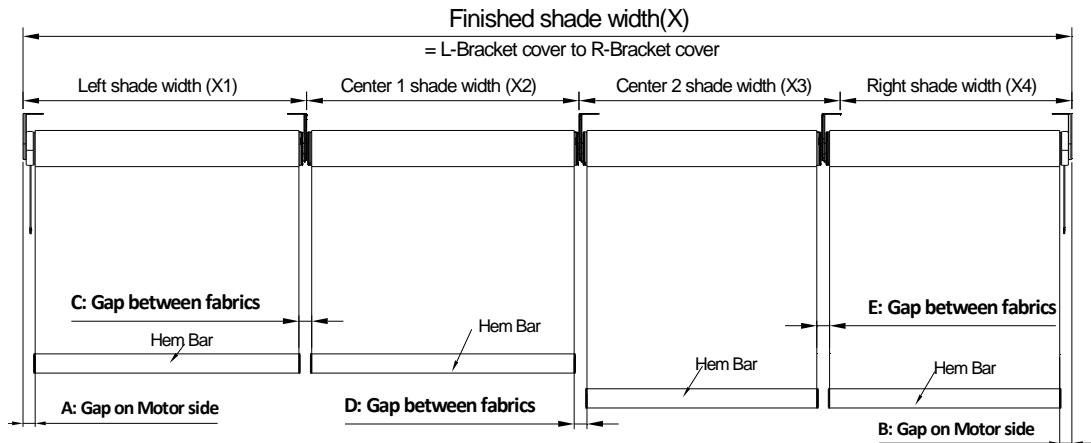
Custom Made Roller Shade Program		
Custom Made Roller Shade Santa Fe	Code	RR-001
	Edition	N
	Page	58 / 71
	Update Date	2026/01/15

Coupled 4 on 1 in Continuous Cord Loop



Valance Type	Tube diameter	Gap A/B	Gap C/D/E
CCL without top treatment / CCL with Raceway	43mm	18mm	18.5mm
	52mm	19mm	
CCL with Fascia	43mm	19.5mm	
	52mm	20.5mm	
CCL with Valance	43mm	17mm	
	52mm	18mm	

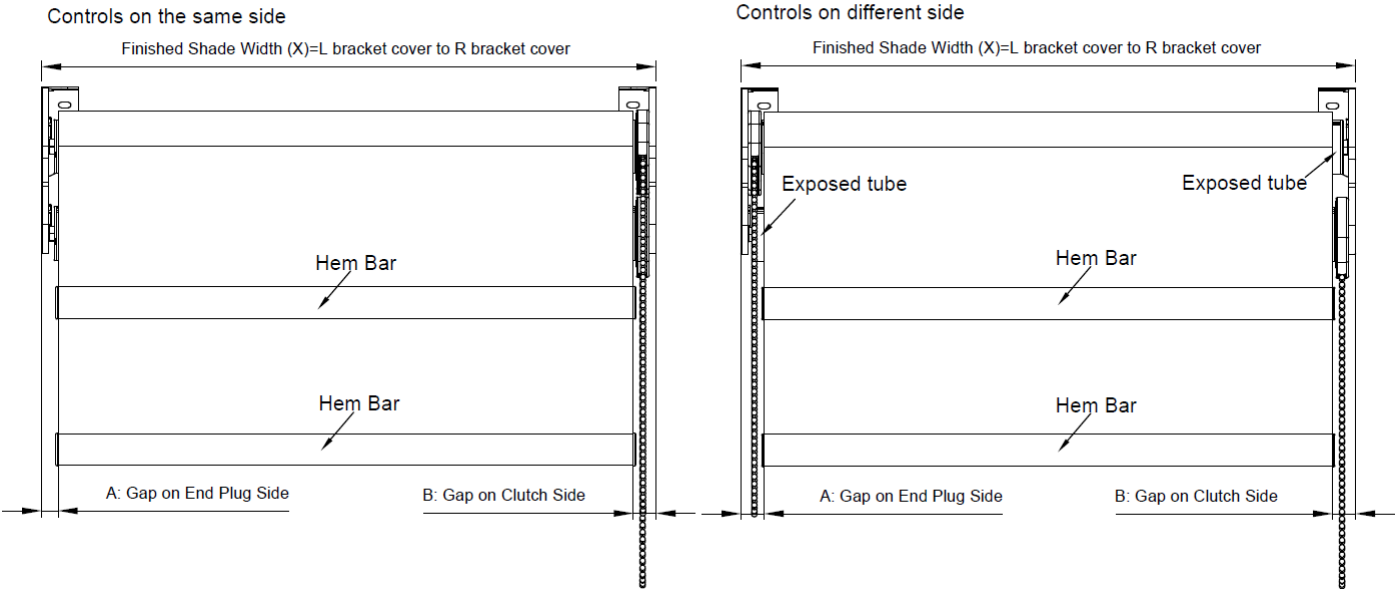
Coupled 4 on 1 in Motorized



Valance Type	Motor type	Gap A/B	Gap C/D/E
Motorized roller shade without top treatment / with raceway	32A/32B/AM25	17mm	18.5mm
	32C	18.5mm	
Motorized roller shade with Fascia	32A/32B/AM25	18.5mm	
	32C	20mm	
Motorized roller shade with Valance	32A/32B/AM25	16mm	
	32C	17.5mm	

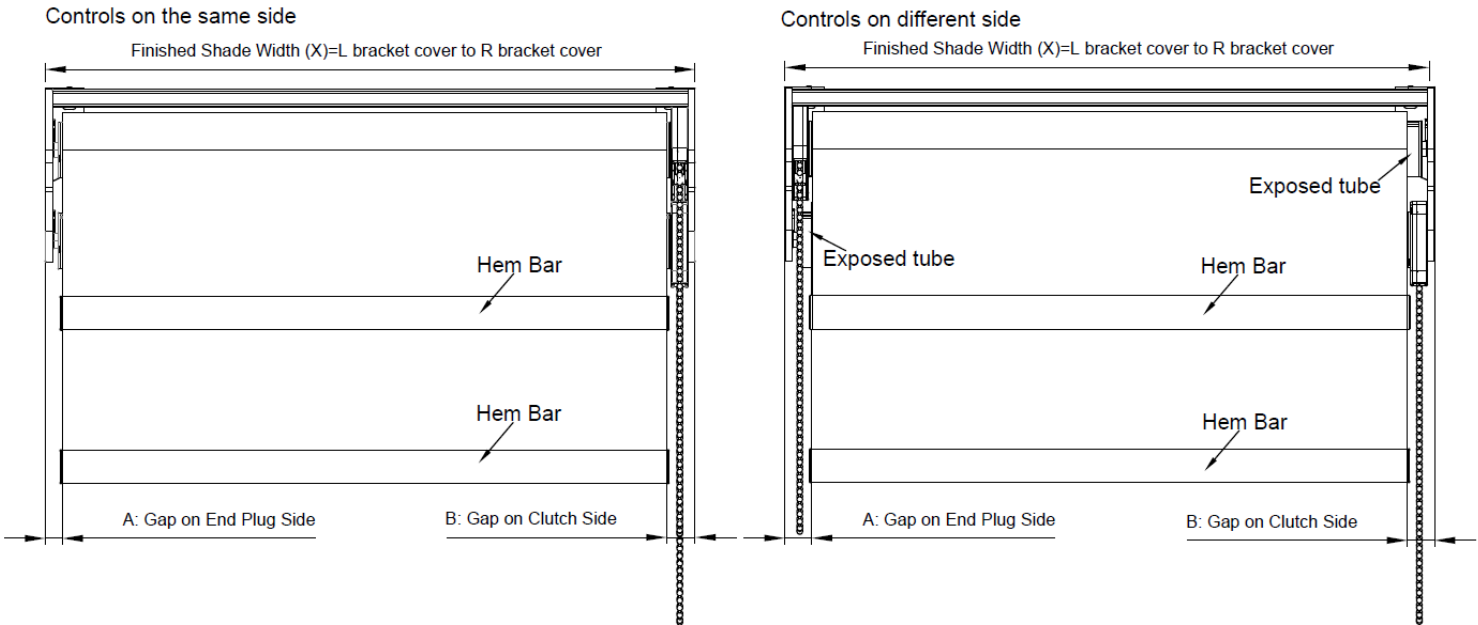
Custom Made Roller Shade Program		
Custom Made Roller Shade Santa Fe	Code	RR-001
	Edition	N
	Page	59 / 71
	Update Date	2026/01/15

Dual Shades in Continuous Cord Loop



	Clutch Position	Tube diameter	Gap A	Gap B
Without Raceway /with Raceway	At different side	43mm	18mm	18mm
		52mm	19mm	19mm
	At same side	43mm	12.5mm	18mm
		52mm	12.5mm	19mm
with Fabric Valance	At different side	43mm	17mm	17mm
		52mm	18mm	18mm
	At same side	43mm	11.5mm	17mm
		52mm	11.5mm	18mm

Dual Shades in SmartRelease™



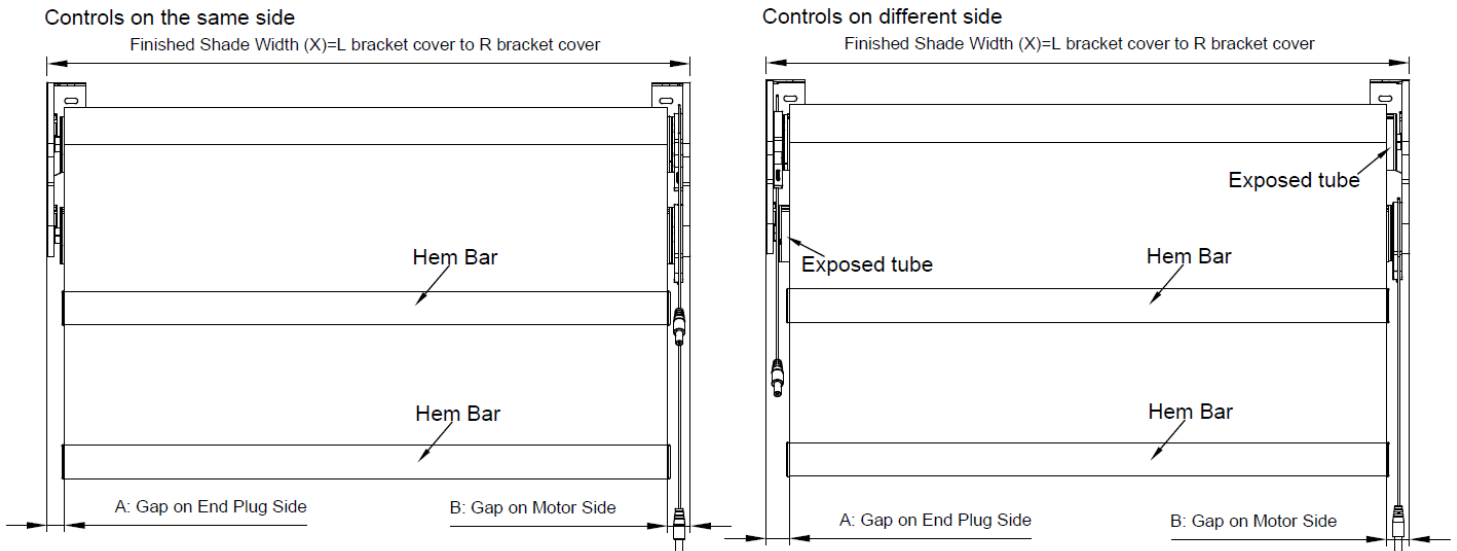
Custom Made Roller Shade Program

Custom Made Roller Shade Santa Fe

Code	RR-001
Edition	N
Page	60 / 71
Update Date	2026/01/15

	Clutch Position	Tube diameter	Gap A	Gap B
With Raceway	At different side	43mm,52mm	21.5mm	21.5mm
	At same side		12.5mm	21.5mm
with Fabric Valance	At different side	43mm,52mm	20.5mm	20.5mm
	At same side		11.5mm	20.5mm

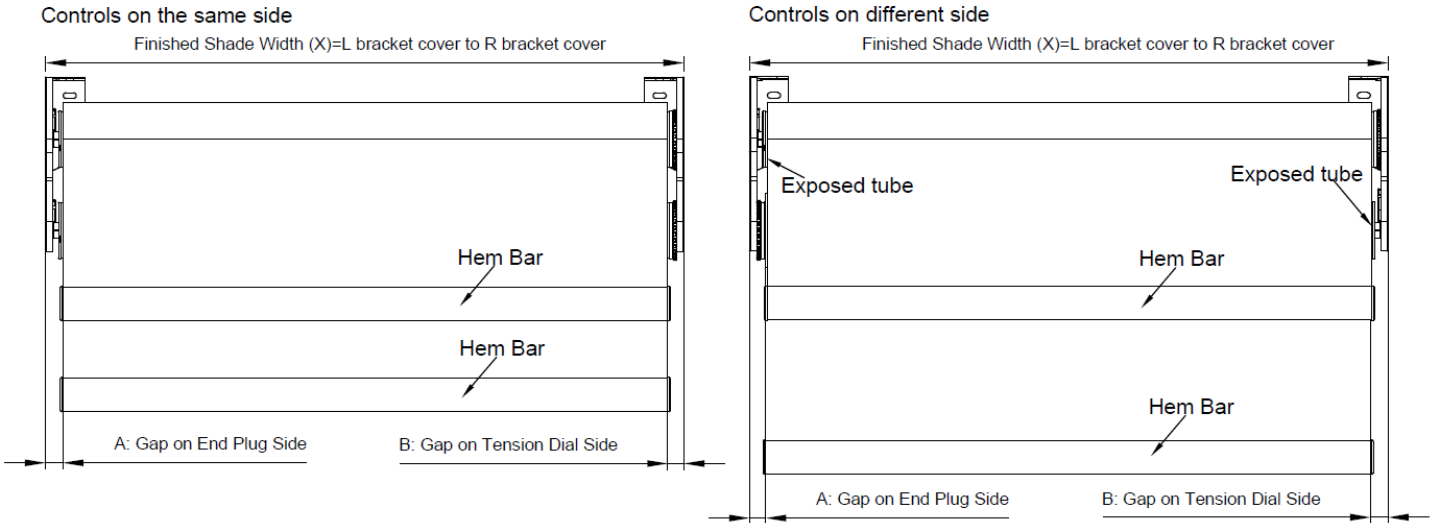
Dual Shades in Motorised



Shade Type	Motor Position	Motor type	Gap (A)	Gap (B)
Without Raceway /with Raceway	At different side	32A/AM25	17mm	17mm
		32C	18.5mm	18.5mm
	At same side	32A/AM25	12.5mm	17mm
		32C	12.5mm	18.5mm
With Fabric Valance	At different side	32A/AM25	16mm	16mm
		32C	17.5mm	17.5mm
	At same side	32A/AM25	11.5mm	16mm
		32C	11.5mm	17.5mm

Custom Made Roller Shade Program		
Custom Made Roller Shade Santa Fe	Code	RR-001
	Edition	N
	Page	61 / 71
	Update Date	2026/01/15

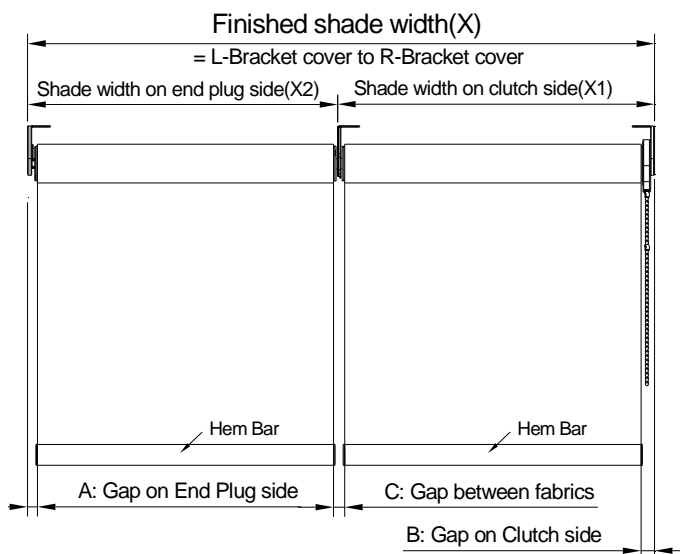
Dual Shades in PrecisionLift™ Cordless



Note: The tension dial will be on the left for standard Roll (Backwards) and on the right for Reverse roll (Forward roll)

	Tension Dial Position	Tube diameter	Gap A	Gap B
Without Raceway/ With Raceway	At different side	43mm,52mm	12.5mm	12.5mm
	At same side			
With Fabric Valance	At different side	43mm,52mm	11.5mm	11.5mm
	At same side			

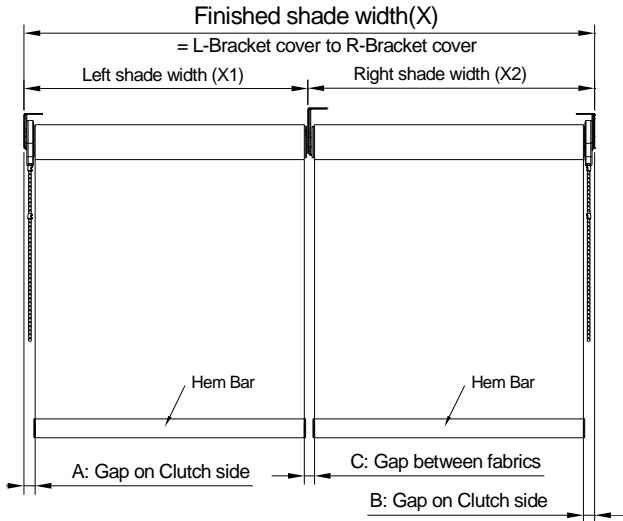
Coupled Dual Shades in Continuous Cord Loop-Dependently Operated



Valance Type	Clutch Position	Tube diameter	Gap A	Gap B	Gap C
Without Raceway /with Raceway	At different side	43mm	18mm	18mm	18.5mm
		52mm	19mm	19mm	
	At same side	43mm	12.5mm	18mm	
		52mm	12.5mm	19mm	
with Fabric Valance	At different side	43mm	17mm	17mm	
		52mm	18mm	18mm	
	At same side	43mm	11.5mm	17mm	
		52mm	11.5mm	18mm	

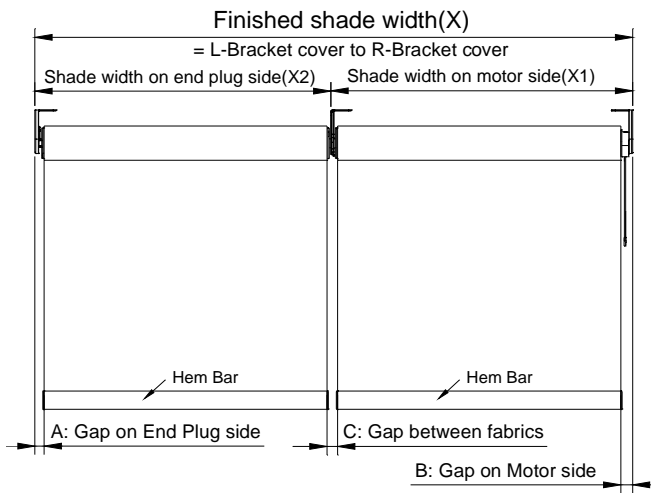
Custom Made Roller Shade Program		
Custom Made Roller Shade Santa Fe	Code	RR-001
	Edition	N
	Page	62 / 71
	Update Date	2026/01/15

Coupled Dual Shades in Continuous Cord Loop-Independently Operated



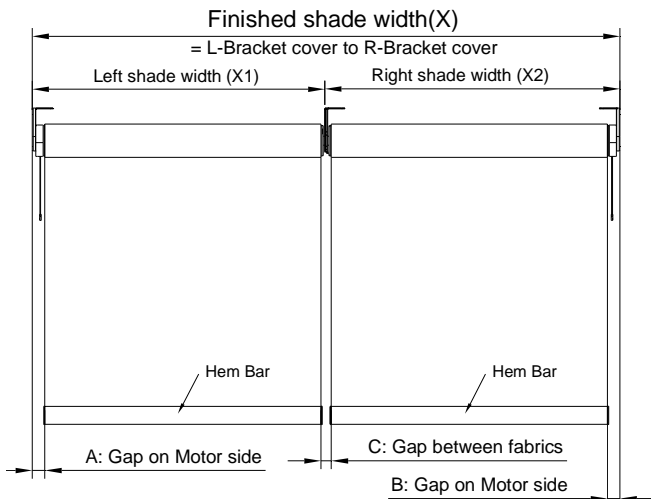
Valance Type	Tube diameter	Gap A/B	Gap C
CCL without top treatment / CCL with Raceway	43mm	18mm	18.5mm
	52mm	19mm	
CCL with Valance	43mm	17mm	
	52mm	18mm	

Coupled Dual Shades in Motorized-Dependently Operated



Valance Type	Motor Position	Motor type	Gap (A)	Gap (B)	Gap C
Without Raceway /with Raceway	At different side	32A/AM25	17mm	17mm	18.5mm
		32C	18.5mm	18.5mm	
	At same side	32A/AM25	12.5mm	17mm	
		32C	12.5mm	18.5mm	
with Fabric Valance	At different side	32A/AM25	16mm	16mm	
		32C	17.5mm	17.5mm	
	At same side	32A/AM25	11.5mm	16mm	
		32C	11.5mm	17.5mm	

Coupled Dual Shades in Motorized-Independently Operated



Valance Type	Motor Position	Motor type	Gap (A/B)	Gap C
Without Raceway /with Raceway	At same side	32A/AM25	17mm	18.5mm
		32C	18.5mm	
with Fabric Valance	At same side	32A/AM25	16mm	
		32C	17.5mm	

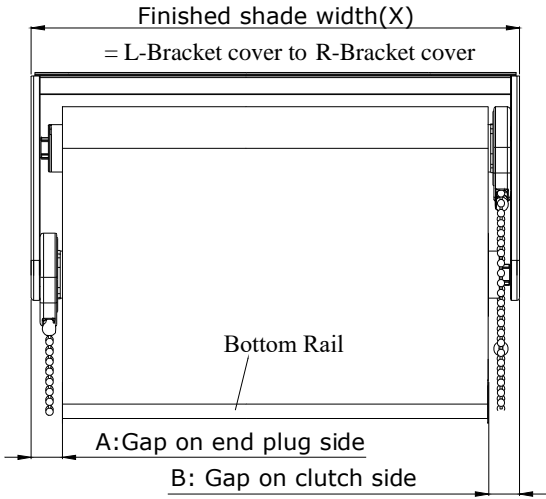
Custom Made Roller Shade Program		
Custom Made Roller Shade Santa Fe	Code	RR-001
	Edition	N
	Page	63 / 71
	Update Date	2026/01/15

16. Bracket Dimensions

Item	Bracket	Picture	Description
1	Small Shade Bracket	<p>Control side End Plug side</p>	Used for: * Motorized
2	Medium Shade Bracket	<p>Control side End Plug side</p>	Used for: * Motorized * Coupled Motorized shade
3	Medium Shade Bracket (with wider lug)	<p>Control side End Plug side</p>	Used for: * 43mm clutch * PrecisionLift™ Cordless * SmartRelease™ * Coupled manual roller shade
4	Large Shade Bracket	<p>Control side End Plug side</p>	Used for: * Motorized * Coupled Motorized shade

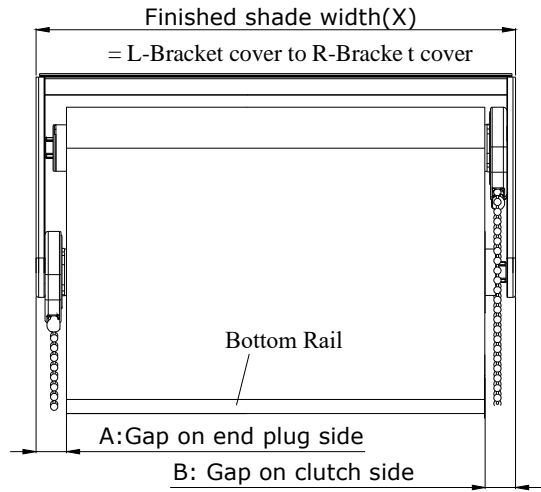
Custom Made Roller Shade Program		
Custom Made Roller Shade Santa Fe	Code	RR-001
	Edition	I
	Page	55 / 67
	Effective Date	2024/11/15

Dual Shade Slim in Continuous Cord Loop



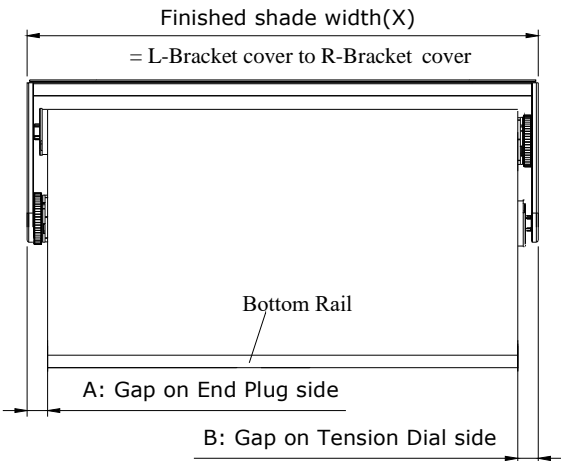
	Chain Clutch	Tube diameter	Gap A	Gap B
without top treatment	29mm	29mm	18mm	18mm
	43mm	43mm	18mm	18mm
with Fabric Valance	29mm	29mm	17mm	17mm
	43mm	43mm	17mm	17mm

Dual Shade Slim in SmartRelease™



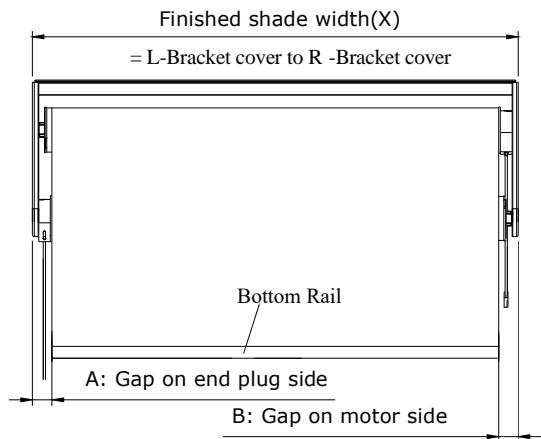
	Chain Clutch	Tube diameter	Gap A	Gap B
without top treatment	43mm	43mm	21.5mm	21.5mm
with Fabric Valance	43mm	43mm	20.5mm	20.5mm

Dual Shade Slim in PrecisionLift™ Cordless



	Gap A	Gap B
without top treatment	12.5mm	12.5mm
with Fabric Valance	11.5mm	11.5mm

Dual Shade Slim in Motorised



	Motor type	Gap (A)	Gap (B)
With raceway	32A/AM25	17mm	17mm
	32C	18.5mm	18.5mm
with Fabric Valance	32A/AM25	16mm	16mm
	32C	17.5mm	17.5mm

Custom Made Roller Shade Program

Custom Made Roller Shade Santa Fe

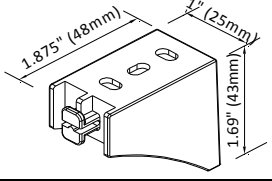
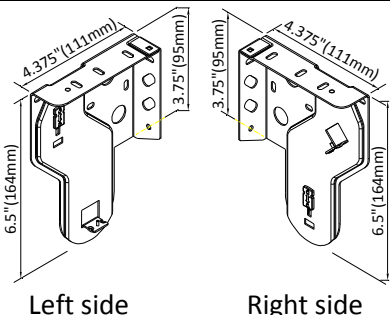
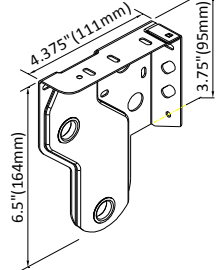
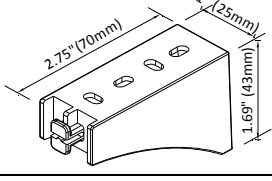
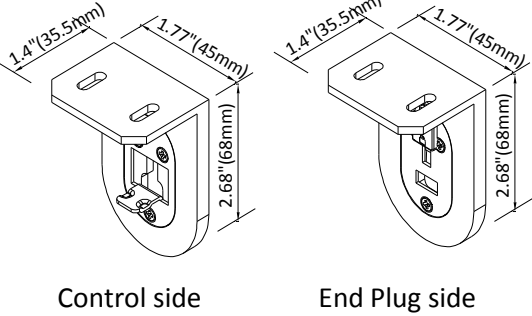
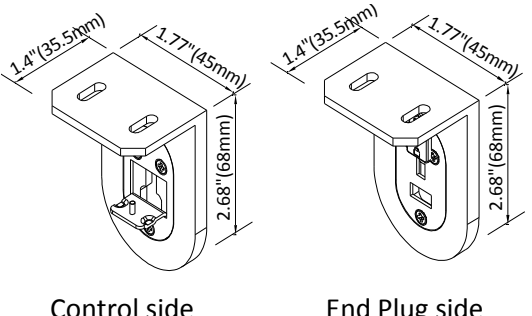
Code	RR-001
Edition	N
Page	64 / 71
Update Date	2026/01/15

Item	Bracket	Picture	Description
5	Large Shade Bracket (with wider lug)	<p style="text-align: center;">Control side End Plug side</p>	<p>Used for:</p> <ul style="list-style-type: none"> * 43mm clutch * Coupled manual roller shade * PrecisionLift™ Cordless * SmartRelease™
6	OM mounting bracket-3.5		<p>Used for:</p> <ul style="list-style-type: none"> * Outside mount with raceway * Inside Back mount raceway
7	OM mounting bracket-4.5		<p>Used for:</p> <ul style="list-style-type: none"> * Outside mount with raceway * Inside Back mount with raceway
8	Dual shade 139mm shade brackets (Dual Ultra)	<p style="text-align: center;">Left side Right side</p>	<p>Used for:</p> <ul style="list-style-type: none"> * Universal for IM & OM with / without raceway
9	Dual shade 139mm link bracket (Dual Ultra)		<p>Used for:</p> <ul style="list-style-type: none"> * Coupled Dual Shades * Universal for IM & OM with / without raceway

Custom Made Roller Shade Program

Custom Made Roller Shade Santa Fe

Code	RR-001
Edition	N
Page	65 / 71
Update Date	2026/01/15

Item	Bracket	Picture	Description
10	Dual shade 139mm raceway installation bracket		Used for: * IM & OM with raceway
11	Dual shade 164mm shade brackets (Dual Ultra)		Used for: * Universal for IM & OM with / without raceway
12	Dual shade 164mm link bracket (Dual Ultra)		Used for: * Coupled Dual Shades * Universal for IM & OM with / without raceway
13	Dual shade 6.5\" (164mm) raceway installation bracket		Used for: * IM & OM with raceway
14	68mm Bracket		Used for: * Premium Hardware * IM/OM without raceway/valances * Motorized
15	68mm Bracket (with wider lug)		Used for: * Premium Hardware * IM/OM without raceway/valances * PrecisionLift™ Cordless * Cordloop with 62mm clutch

Custom Made Roller Shade Program		
Custom Made Roller Shade Santa Fe	Code	RR-001
	Edition	N
	Page	66 / 71
	Update Date	2026/01/15

Item	Bracket	Picture	Description
16	73mm Bracket	<p style="text-align: center;">Control side End Plug side</p>	Used for: *Premium Hardware *IM/OM without raceway/valances *Motorized
17	73mm Bracket (with wider lug)	<p style="text-align: center;">Control side End Plug side</p>	Used for: *Premium Hardware *IM/OM without raceway/valances *PrecisionLift™ Cordless *Cordloop with 62mm clutch

17. Hardware Information

Different hardware will be provided for different control systems. The qty of some hardware depends on shade width. See below for more information.

Bracket & Spacer Block qty for single shades:

Mounting type	Shade width X	#of shade bracket	#of mounting bracket	1 spacer per bracket	2 spacers per bracket	3 spacers per bracket
IM&OM without raceway/IM with raceway	All	2	/	2	4	6
OM with raceway	$203\text{mm} \leq X \leq 1016\text{mm}$	2	2	2	4	6
	$1016\text{mm} < X \leq 2032\text{mm}$	2	3	3	6	9
	$X > 2032\text{mm}$	2	4	4	8	12

Note: IM with raceway will be predrilled mounting holes on raceway.

Bracket & Spacer Block qty for coupled shades:

Mounting Type	Shades Option	Shade width X	#of shade bracket	#of link bracket	1 spacer per bracket	2 spacers per bracket	3 spacers per bracket
IM&OM without raceway	2-on-1	All	2	1	3	6	9
	3-on-1			2	4	8	12
	4-on-1			3	5	10	15

Note: 1. IM with raceway will be predrilled Mounting holes on raceway.

2. For OM with raceway, the total mounting bracket qty is equal to bracket qty of left shade + center shade(s) + right shade.

Custom Made Roller Shade Program		
Custom Made Roller Shade Santa Fe	Code	RR-001
	Edition	N
	Page	67 / 71
	Update Date	2026/01/15

Bracket & Spacer Block qty for Dual Shades:

Mounting Type	Shade width X	#of shade bracket	#of middle bracket	1 spacer per bracket	2 spacer per bracket	3 spacer per bracket
IM&OM without raceway	All	2	/	4	8	12
IM&OM with raceway	$203\text{mm} \leq X \leq 1016\text{mm}$	2	/	4	8	12
	$1016\text{mm} < X \leq 2032\text{mm}$	2	1	5	10	15
	$X > 2032\text{mm}$	2	2	6	12	18

Note: IM with raceway will be predrilled mounting holes on raceway.

Bracket & Spacer Block qty for Coupled Dual Shades:

Mounting Type	Shade width X	#of shade bracket	#of link bracket	#of mounting bracket	1 spacer per bracket	2 spacer per bracket	3 spacer per bracket
IM&OM without raceway	All	2	1	/	6	12	18

Note: For Coupled Dual Shades with raceway, the total mounting brackets qty is equal to bracket qty of left shade + right shade.

Light guard holders qty for top light guard piece (for roller with light guard):

Shade width X	Qty
$X \leq 1016\text{mm}$	2
$1016\text{mm} < X \leq 1727\text{mm}$	3
$1727\text{mm} < X \leq 2440\text{mm}$	4
$X > 2440\text{mm}$	5

Valance Bracket for Square Fascia / Wood Valance:

Valance/Fascia Width X	Qty
$X \leq 1016\text{mm}$	2
$1016\text{mm} < X \leq 1727\text{mm}$	3
$1727\text{mm} < X \leq 2440\text{mm}$	4
$2440\text{mm} < X$	5

Note: For common valance/fascia or valance/fascia in custom width, the qty of valance bracket = (Outer width of each piece - 305mm) / 711 + 1

Valance Bracket for Curved Fascia / Fabric Valance:

Shade Width X	Qty
$X \leq 838\text{mm}$	2
$838\text{mm} < X \leq 1372\text{mm}$	3
$1372\text{mm} < X \leq 1905\text{mm}$	4
$1905\text{mm} < X \leq 2440\text{mm}$	5
$2440\text{mm} < X \leq 2972\text{mm}$	6
$X > 2972\text{mm}$	7

Note: For common valance/fascia or valance/fascia in custom width, the qty of valance bracket = (Outer width of each piece - 305mm) / 533 + 1

Custom Made Roller Shade Program		
Custom Made Roller Shade Santa Fe	Code	RR-001
	Edition	N
	Page	68 / 71
	Update Date	2026/01/15

18.Soluna™ Roller Shades Fabric Expectations

Roller shades have been a go-to window treatment solution for decades. Advancements in fabrics, operating systems and options have taken roller shades to the next level.

Their sleek, modern appearances have made them the current top selling window treatment.



Our Soluna™ Roller Shades have introduced several award-winning features designed to enhance your roller shade experience:

- Smooth operating, trouble-free PrecisionLift™ cordless system
- Light blocking Light Guard system
- Environmentally friendly 100% polyester solar screens

There are certain inherent characteristics of Soluna™ Roller Shades that can be found in any roller shade in the market. Since we always strive to provide the highest quality window treatment solutions, we are communicating these industry-wide operating and fabric characteristics.

SIDE LIGHT GAPS

All roller shades have side light gaps because the shade fabric is not as wide as the tube it rolls up onto to accommodate the mounting brackets. If total privacy or room darkness is desired, these gaps have to be considered. Our Light Guard system hides these gaps to decrease penetrating light. For the ultimate room-darkening solution, choose our LightGuard 360™ system with integrated side, top and bottom channels.

Custom Made Roller Shade Program

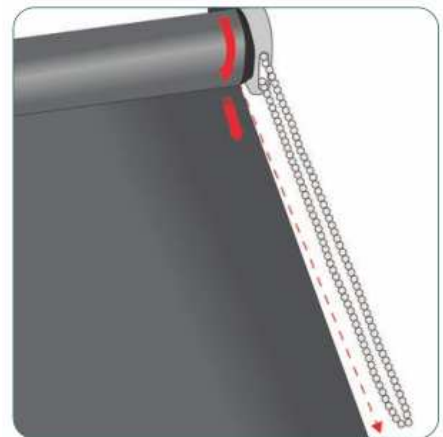
Custom Made Roller Shade Santa Fe

Code	RR-001
Edition	N
Page	69 / 71
Update Date	2026/01/15



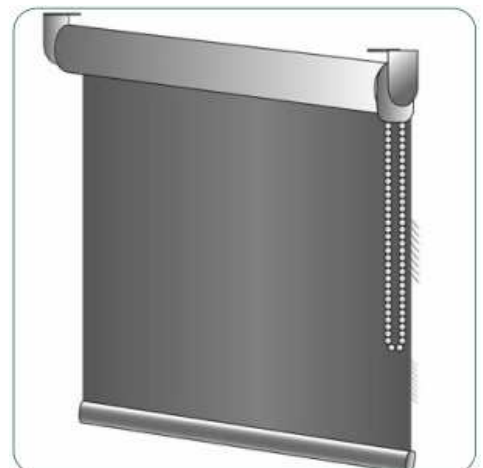
TELESCOPING OR TRACKING

- Occurs when the fabric does not roll up straight onto the roller tube.
- May cause fabric fraying as a result of continual contact with the clutch
- Often caused because the shade is not level.
- Can usually be corrected by re-leveling the shade.



FABRIC FRAYING

- Often a natural occurrence associated with certain fabrics.
- May be caused by continual contact with the operating clutch. (see telescoping above).
- Can normally be trimmed with scissors.



Custom Made Roller Shade Program		
Custom Made Roller Shade Santa Fe	Code	RR-001
	Edition	N
	Page	70 / 71
	Update Date	2026/01/15

CURLING OR CUPPING

- Fabric edges occasionally may curl.
This occurs due to the weight of the fabric and should be considered a normal characteristic.
- Fabric panel will often appear taut at the top, near the tube and at the bottom, towards the hem bar.
- Curling is more noticeable in the middle of the shade.
- May be avoided by splitting the shade into two separate shades.



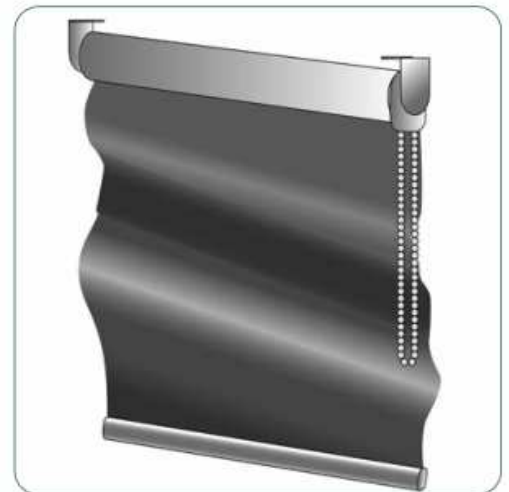
DEFLECTION

- Shows up as V pattern in the middle of the shade fabric.
- Occurs when the shade is in a raised position for a long period of time.
- For wider shades with heavier fabrics, the metal tube may sag over time. As a result, deflection may be more pronounced.



FABRIC RIPPLING OR WAVING

- Vertical or diagonal ripples in the fabric.
- May be a result of minor imperfections of fabric weaving or that the shade is not rolled properly.
- May be avoided by splitting the shade into two separate shades.



Custom Made Roller Shade Program		
Custom Made Roller Shade Santa Fe	Code	RR-001
	Edition	N
	Page	71 / 71
	Update Date	2026/01/15

FABRIC TWISTING

- Fabric may twist vertically when the shade is long and narrow.
- This is considered normal and is not a manufacturing defect.



19.Soluna™ Roller Shades Product Care instructions

Soluna™ Roller shades are designed for sustainability. Occasional dusting is still recommended as it will help maintain the beauty of your shade. Here are the proper methods for cleaning Roller Shades. Be careful not to bend the fabric while cleaning.

Dusting:

- Use a duster to remove any light dust.
- Use a vacuum with a soft brush attachment or a handheld vacuum to remove dust and debris.

Spot cleaning:

- Roller Fabrics cannot be dampened or spot cleaned. Water will damage the fabric.
- Solar Screens can be spot cleaned with a damp cloth. If necessary, a mild detergent can be used and must be rinsed out thoroughly. Always allow the shade to dry completely in a lowered position before operating.